



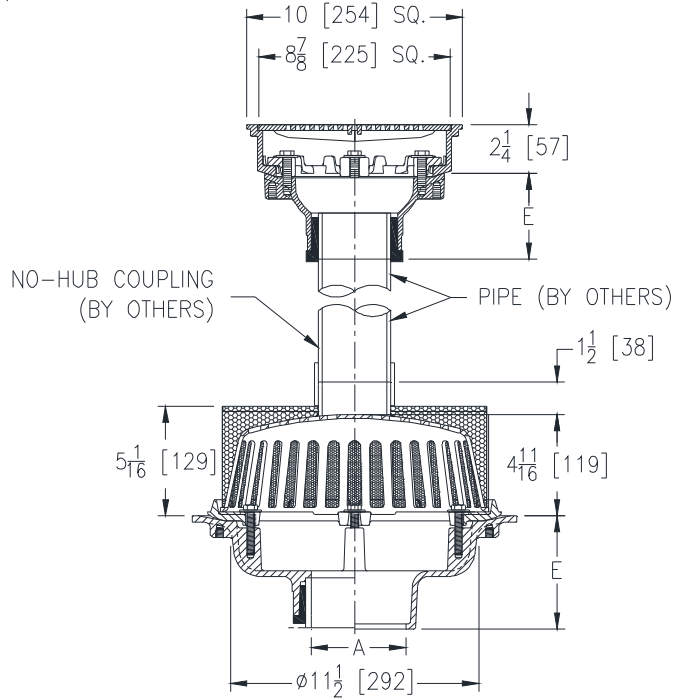
Z100-353

15 [381] DIAMETER MAIN ROOF DRAIN W/ STAINLESS MESH SCREEN, STANDPIPE AND UPPER 10 [254] TOP PROM DECK DRAIN

SPECIFICATION SHEET

TAG _____

Dimensional Data (inches and [mm]) are Subject to Manufacturing Tolerances and Change Without Notice



| A Pipe Size In. [mm] | Approx. Wt. Lbs. [kg] | Dome Open Area Sq. In. [cm ²] |
|-------------------------|-----------------------------|--|
| 2,3,4 [51,76,102] | 47 [21] | 21 [135] |
| 6 [152] | 48 [22] | |
| 8 [203] | 49 [22] | |

ENGINEERING SPECIFICATION: ZURN Z100-353

15 [381] Diameter roof drain. Dura-Coated cast iron body with combination membrane flashing clamp/gravel guard, low silhouette cast iron dome with stainless mesh screen, no-hub coupling and standpipe (by others) and upper Z158 10" [254mm] top prom deck drain.

OPTIONS (Check/specify appropriate options)

PIPE SIZE

- 3, 4, 6 [76,102,152]
- 2, 3, 4, 6, 8 [51,76, 102, 152, 203]
- 2, 3, 4, 6, 8 [51,76, 102, 152, 203]
- 2, 3, 4 [51,76,102]
- 6 [152]

(Specify size/type) **OUTLET**

- ___ IC Inside Caulk
- ___ IP Threaded
- ___ NH No-Hub
- ___ NL Neo-Loc
- ___ NL Neo-Loc

E BODY HT. DIM.

- 5-1/4 [133]
- 3-3/4 [95]
- 5-1/4 [133]
- 4-9/16 [116]
- 5-7/16 [112]

PREFIXES

- ___ ZA D.C.C.I. Body with Aluminum Dome
- ___ ZC D.C.C.I. Body with Cast Iron Dome*
- ___ ZRB D.C.C.I. Body with Plain Bronze Dome

SUFFIXES

- ___ -AC Angular Underdeck Clamp (lower body)
- ___ -AR Acid Resistant Epoxy Coated
- ___ -C Underdeck Clamp (lower body)
- ___ -DX Dex-o-tex Flange
- ___ -G Galvanized Cast Iron
- ___ -GD Galvanized Cast Iron Dome (ZC Only)
- ___ -R Roof Sump Receiver (lower body)
- ___ -SC Secondary Clamp Collar
- ___ -TC Neo-Loc Test Cap Gasket (lower body)
(2 - 4 [51 - 102] NL Bottom Outlet Only)
- ___ -VP Vandal-Proof Secured Top
- ___ -84 Stainless Steel Perforated Gravel Guard
- ___ -89 2 [51] High External Water Dam
- ___ -90 90° Threaded Side Outlet Body
(2 thru 6 [51 or 152]) (lower body)

* Regularly furnished unless otherwise specified.