



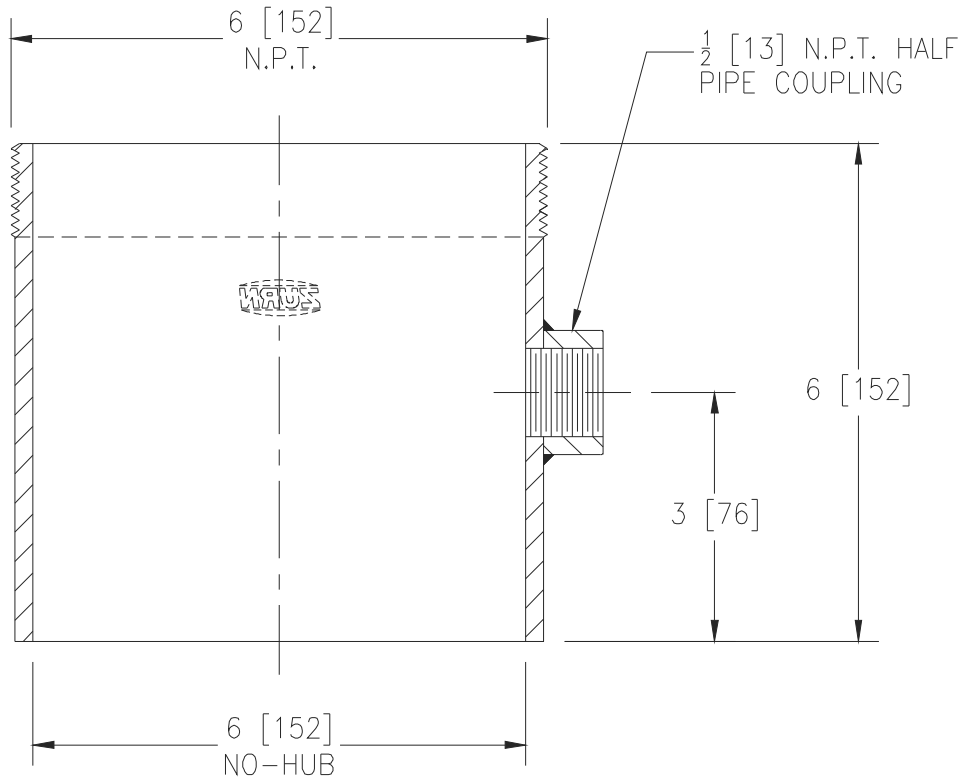
Z1023-78

6 [152] X 6 [152] TRAP PRIMER CONNECTION WITH PIPE COUPLING

SPECIFICATION SHEET

TAG _____

Dimensional Data (inches and [mm]) are Subject to Manufacturing Tolerances and Change Without Notice



ENGINEERING SPECIFICATION: ZURN Z1023-78

6" [152mm] x 6" [152mm] threaded x No-Hub Trap Primer Connection, Dura-Coated cast iron body with 1/2" [13mm] female threaded half pipe coupling.

CONNECTIONS (Check/specify appropriate options)

PIPE SIZE

6 [152]

CONNECTION

____ IP X NH Threaded x No-Hub

PREFIXES

____ Z D.C.C.I. Body*

SUFFIXES

____ -G Galvanized Cast Iron

____ -3 3/4 [19] IP Primer Connection

* Regularly furnished unless otherwise specified.