



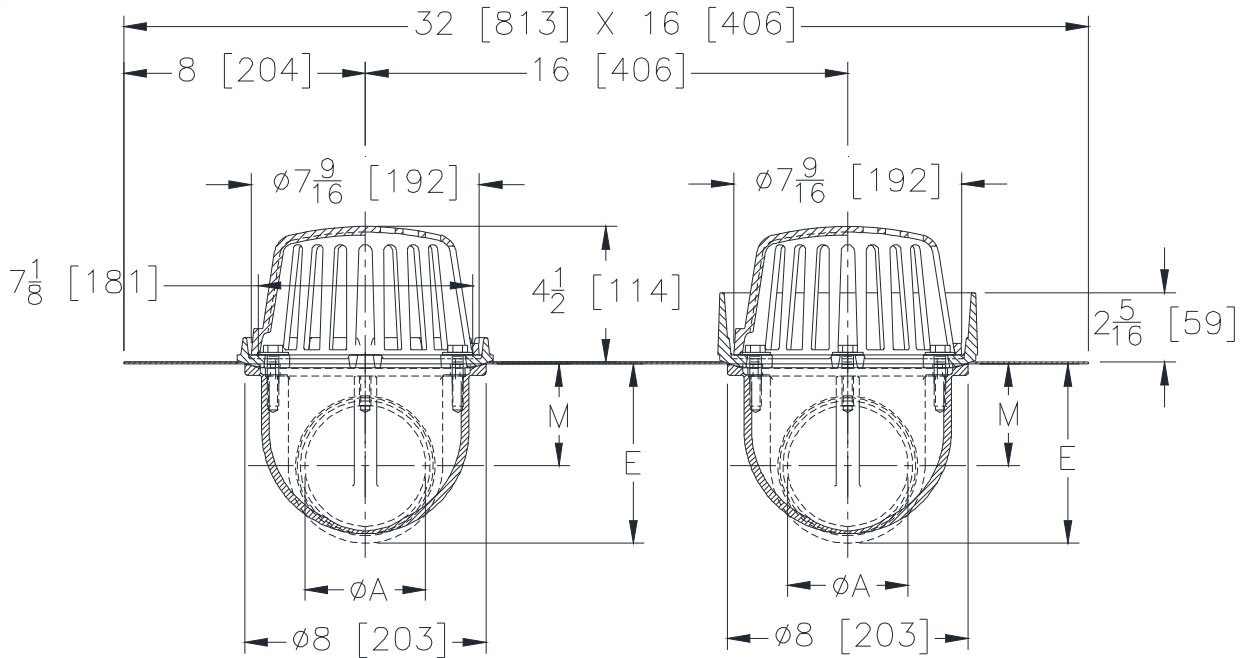
# Z165-DP-90

8-3/8 [213] DIAMETER COMBINATION MAIN ROOF & OVERFLOW DRAIN W/ SIDE OUTLETS, LOW SILHOUETTE DOMES & DOUBLE TOP-SET® DECK PLATE

SPECIFICATION SHEET

TAG \_\_\_\_\_

Dimensional Data (inches and [ mm ]) are Subject to Manufacturing Tolerances and Change Without Notice



Dimensions in In. [mm]		Approx. Wt. Lbs. [kg]	Dome Open Area Sq. In. [cm <sup>2</sup> ]
A Pipe Size	M		
2 [51]	4-7/16 [114]	70 [32]	43 [277]
3 [76]	3-7/8 [102]		
4 [102]	3-3/8 [86]		

**ENGINEERING SPECIFICATION: ZURN Z165-DP-90**  
8-3/8" [213mm] Diameter roof drain and overflow drain, Dura-Coated cast side outlet iron bodies with combination membrane flashing clamp/gravel guards, double Top-Set® deck plate, and low silhouette cast iron domes.

**OPTIONS** (Check/specify appropriate options)

**PIPE SIZE**

2, 3, 4 [51, 76, 102]

(Specify size) **OUTLET**

\_\_\_ IP Threaded

**'E' BODY HT. DIM.**

5-15/16 [151]

**PREFIXES**

- \_\_\_ Z D.C.C.I. Body with Dome (4-1/4 [108] Dome Height)\*
- \_\_\_ ZA D.C.C.I. Body with Aluminum Dome (4-1/4 [108] Dome Height)

**SUFFIXES**

- \_\_\_ -AR Acid Resistant Epoxy Coated Finish
- \_\_\_ -E Static Extension 1 thru 4 [25 thru 102] (Specify Ht.)
- \_\_\_ -G Galvanized Cast Iron
- \_\_\_ -SC Secondary Clamping Collar
- \_\_\_ -SS Stainless Steel Mesh Screen Over Dome
- \_\_\_ -VP Vandal-Proof Secured Top
- \_\_\_ -84 Stainless Steel Perforated Gravel Guard
- \_\_\_ -85 Stainless Steel Perforated Extension

\* Regularly furnished unless otherwise specified.