



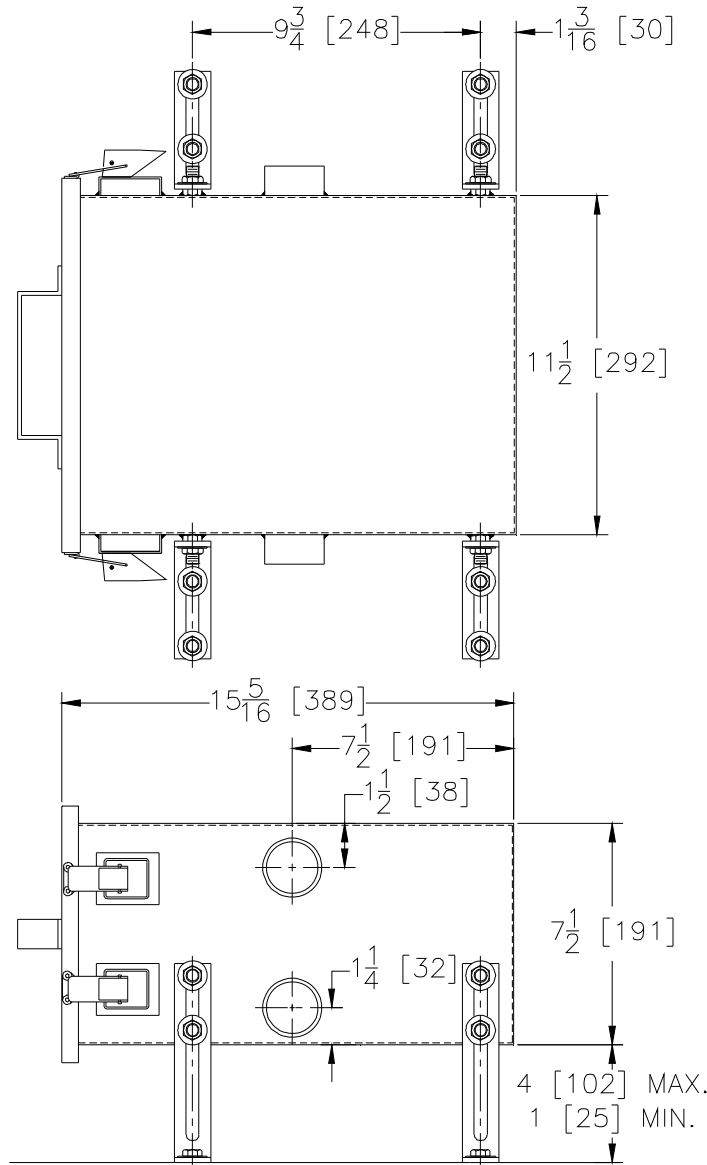
Z1182-76

SIDE ACCESS SOLIDS INTERCEPTOR W/FLOOR MOUNTING BRACKETS

SPECIFICATION SHEET

TAG _____

Dimensional Data (inches and [mm]) are Subject to Manufacturing Tolerances and Change Without Notice



Inlet/Outlet Inches	Flow Rate GPM [L]
2 [50]	35 [132]

ENGINEERING SPECIFICATION: ZURN Z1182-76 Side access stainless steel solids interceptor with adjustable height floor mounting brackets for under sink installations where there are height restrictions for a top removal solids interceptor. Furnished with removable sediment basket attached to a removable, gasketed, latched lid. All units have a high inlet and a low outlet on each side for right or left hand mounting.

OPTIONS (Check/specify appropriate options)

PREFIXES

___ ZS Stainless Steel*

SUFFIXES

___ -YR Replacement Stainless Steel Basket Assembly

REV.	DATE: 10/28/09	C.N. NO. 110368	
DWG. NO. P-15787		PRODUCT NO. Z1182-76	

*REGULARLY FURNISHED UNLESS OTHERWISE SPECIFIED