

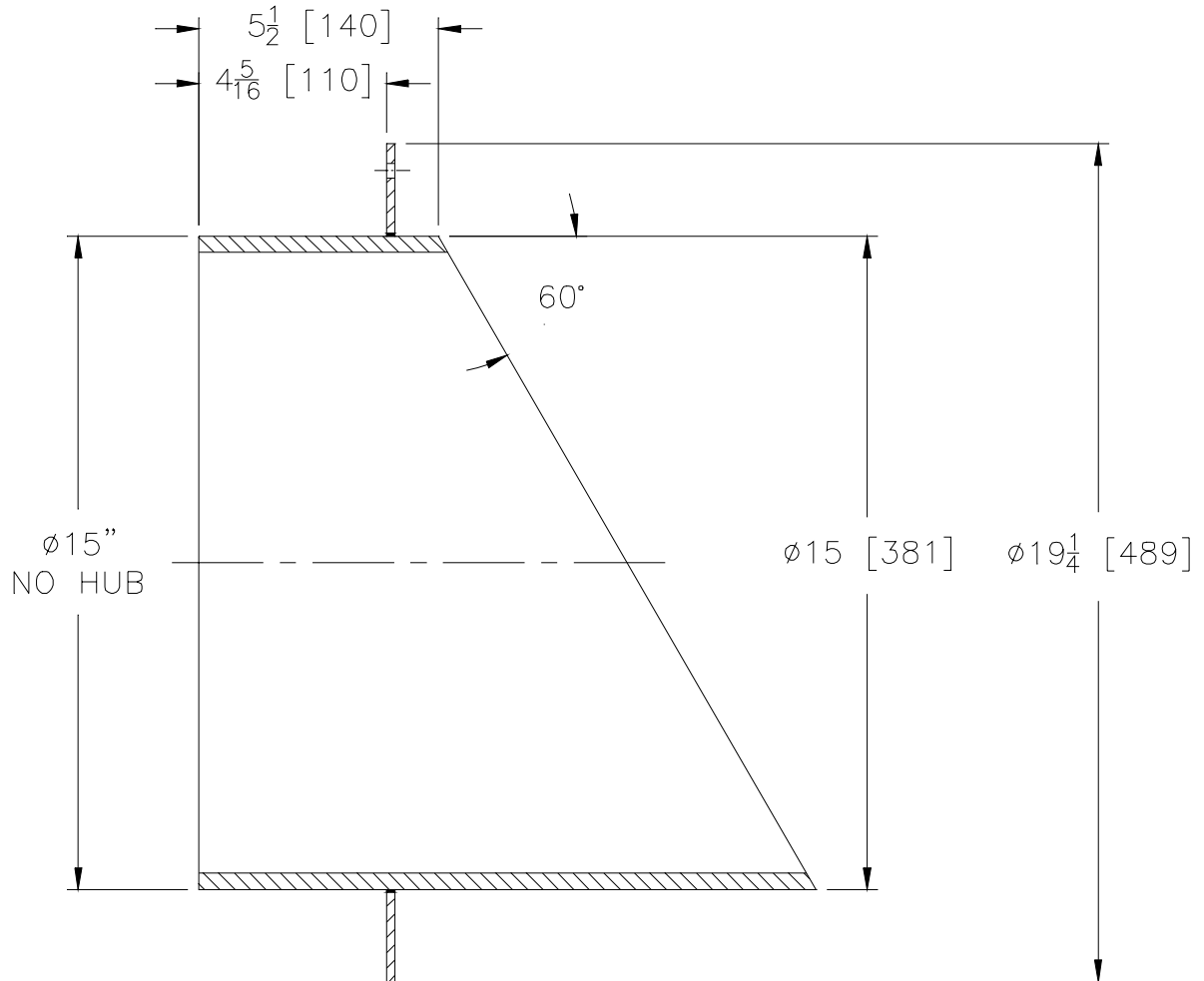


Z-199-78 DOWNSPOUT NOZZLE

SPECIFICATION SHEET

TAG _____

Dimensional Data (inches and [mm]) are Subject to Manufacturing Tolerances and Change Without Notice



ENGINEERING SPECIFICATION: ZURN Z-199-78 15 [381] Downspout Nozzle, Acid Resistant Coated fabricated steel body and wall flange.

*REGULARLY FURNISHED UNLESS OTHERWISE SPECIFIED

REV. _____	DATE: <u>12/15/00</u>	C.N. NO. <u>86240</u>
DWG. NO. <u>P-14810</u>	PRODUCT NO. <u>Z-199-78</u>	

ZURN INDUSTRIES, INC. ♦ SPECIFICATION DRAINAGE OPERATION ♦ 1801 Pittsburgh Ave. ♦ Erie, PA 16514

Phone: 814/455-0921 ♦ Fax: 814/454-7929 ♦ World Wide Web: www.zurn.com

In Canada: ZURN INDUSTRIES LIMITED ♦ 3544 Nashua Drive ♦ Mississauga, Ontario L4V1L2 ♦ Phone: 905/405-8272 Fax: 905/405-1292