



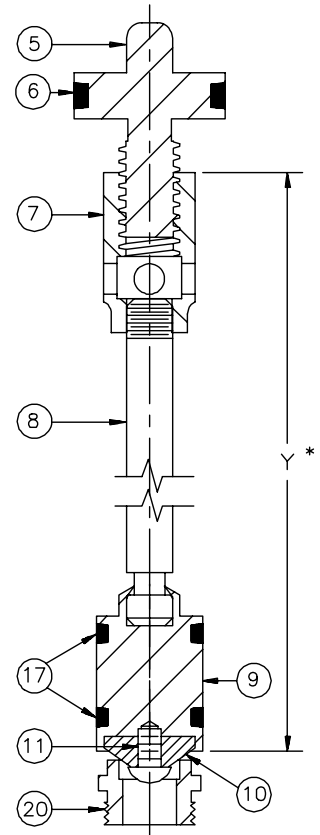
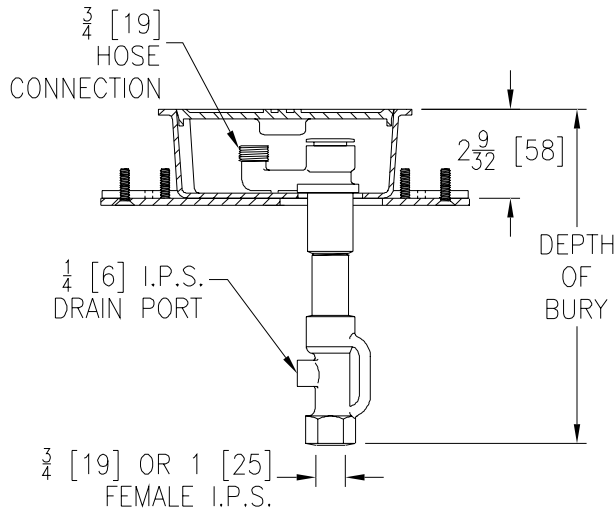
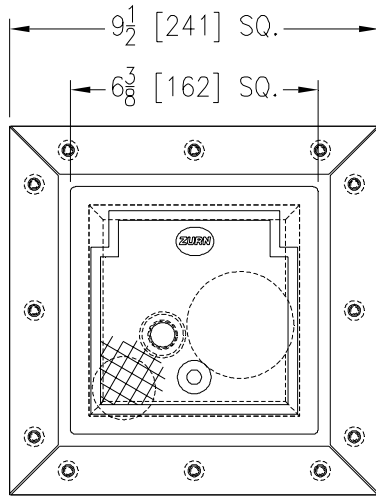
# Z1360-KC

## GROUND HYDRANT W/FLASHING FLANGE & CLAMP COLLAR, Encased, Flush Type, Non-Freeze

SPECIFICATION SHEET

TAG \_\_\_\_\_

Dimensional Data (inches and [ mm ]) are Subject to Manufacturing Tolerances and Change Without Notice



INTERNAL PARTS

Depth of Bury Feet	Approx. Wt. Lbs. [kg]
2 [610]	17 [8]
3 [914]	21 [10]
4 [1219]	25 [11]
5 [1524]	33 [15]
6 [1829]	39 [18]
7 [2134]	43 [20]
8 [2438]	47 [21]
9 [2743]	52 [24]
10 [3048]	56 [25]

**ENGINEERING SPECIFICATION: ZURN Z1360-KC**

Encased, non-freeze hydrant, with flashing flange with clamping collar, for flush with grade or finished (non-traffic) floor installation. Complete with galvanized steel casing, all bronze interior parts, bronze seat and replaceable seat washer, non-turning operating rod with free-floating compression closure valve with 3/4 [19] or 1 [25] connection. Plain bronze box and scoriated cover with operating key lock. Hydrant is equipped with a tapped 1/4 [6] drain port in valve housing.

Note:

- IMPORTANT** Hydrant must be opened one turn to seal drain port during use.

**OPTIONS** (Check/specify appropriate options)

**SUFFIXES**

- \_\_\_\_ -BC Bronze Casing
- \_\_\_\_ -CI D.C.C.I. Box and Cover
- \_\_\_\_ -DP12 1/2 [13] IP Drain Port in Box
- \_\_\_\_ -DP14 1/4 [6] IP Drain Port in Box
- \_\_\_\_ -DP38 3/8 [10] IP Drain Port in Box
- \_\_\_\_ -HD Heavy Duty Cover (-CI and -NB only)
- \_\_\_\_ -NB Polished Nickel Bronze Face
- \_\_\_\_ -PB Polished Bronze Face
- \_\_\_\_ -RK Hydrant Parts Repair Kit
- \_\_\_\_ -VB 3/4 [19] Adapter Vacuum Breaker

**PARTS LIST**

Item	Name	Quan.
5	Operating Screw	1
6	O-Ring	1
7	Operating Coupling	1
8	Operating Rod	1
9	Washer Guide	1
10	Washer (neoprene)	1
11	Screw	1
17	O-Ring	2
20	Removable Seat	1

\*WHEN ORDERING REPLACEMENT PARTS SPECIFY DIM.

REV. B	DATE: 05/05/08	C.N. NO. 98439
DWG. NO. 57619	PRODUCT NO. Z1360-KC	