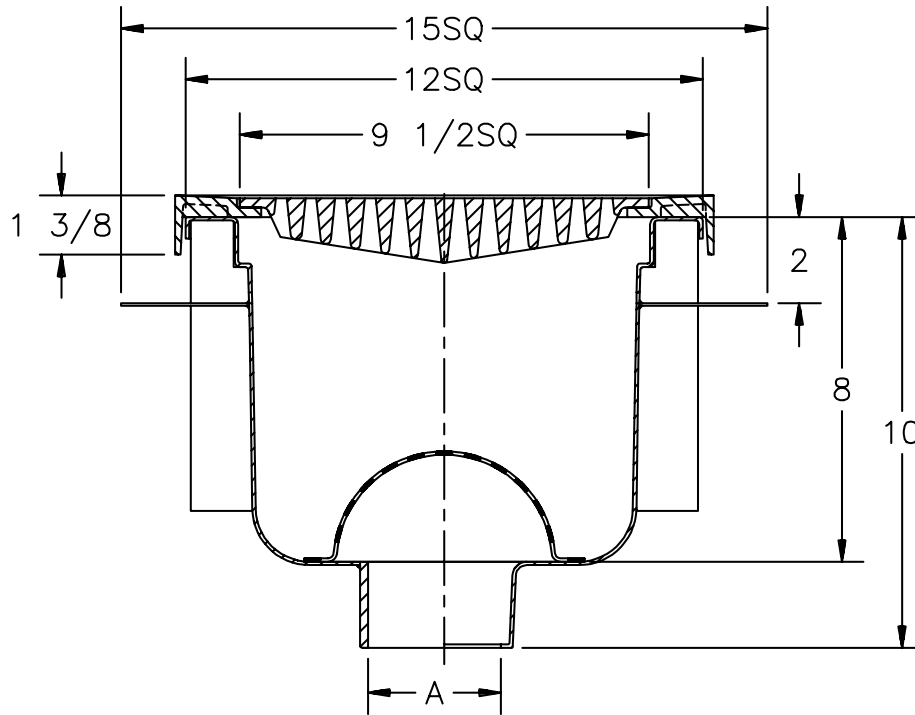




Z-1751-93
 12" x 12" SANI-FLOR
 RECEPTOR 8" Sump Depth

TAG _____

Dimensional Data (inches and [mm]) are Subject to Manufacturing Tolerances and Change Without Notice



A- Pipe Size In.	Approx. Wt. Lbs.	Grate Open Area Sq. In.
2-3-4	21	21

ENGINEERING SPECIFICATION: ZURN Z-1751-93
 12"x12"x8" deep, 14 gage, All Type 304 (CF8) Stainless Steel light duty Sani-Flor receptor with cast stainless steel heavy duty top frame and slotted grate, anti-splash interior dome strainer and reinforced sidewalls.

OPTIONS (Check/specify appropriate options)

OUTLET (Specify type)

- ___ **IC** Inside Caulk
- ___ **NH** No-Hub

PIPE SIZE (Specify size)

- ___ 3", 4"
- ___ 2" thru 4"

PREFIXES

- ___ **Z-** Type 304 (CF8) Stainless Steel*

SUFFIXES

- ___ **-AR** Acid Resisting Epoxy Coated Interior
- ___ **-P** 1/2" Trap Primer Connection
- ___ **-Y** Sediment Bucket
- ___ **-YS** Suspended Sediment Bucket
- ___ **-1** Less Grate
- ___ **-2** 1/2 Grate
- ___ **-3** 3/4 Grate
- ___ **-4** Full Grate with 3" Square Center Opening
- ___ **-5** Grate w/4" Dia. x 3-3/4" High 304 S.S. Funnel
- ___ **-8** Grate w/8-7/8 x 3-5/8 x 3-3/4 High 304 S.S. Oval Funnel
- ___ **-15** Solid Cover
- ___ **-16** 1/2 Solid Cover
- ___ **-17** 3/4 Solid Cover
- ___ **-18** Solid Cover w/3" Square Center Opening

REV.	DATE: 9/14/94	C.N. NO. 70114
DWG. NO. P-14037 PRODUCT NO. Z-1751-93		

*REGULARLY FURNISHED UNLESS OTHERWISE SPECIFIED