



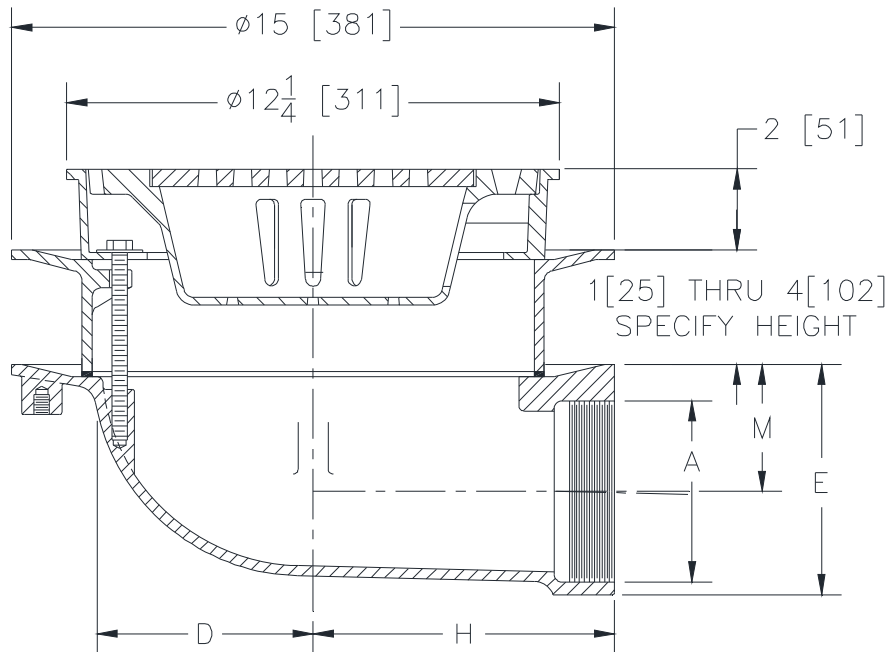
Z540-91

12 [305] MEDIUM DUTY DRAIN
W/ SUR-SET BUCKET, AND STATIC EXTENSION

SPECIFICATION SHEET

TAG _____

Dimensional Data (inches and [mm]) are Subject to Manufacturing Tolerances and Change Without Notice



Dimensions in Inches [mm]				Approx. Wt. Lbs.	Grate Open Area Sq. In.
A- Pipe Size	D	H	M		
2 [51]	5-7/8 [149]	7-1/2 [191]	4-1/4 [108]	53 [24]	16 [103]
3 [76]			3-11/16 [94]	52 [24]	
4 [102]			3-3/16 [81]	50 [23]	
5 [127]			4-13/16 [122]	73 [33]	
6 [152]			4-1/4 [108]	53 [24]	

ENGINEERING SPECIFICATION: ZURN Z-540-91

12" [305mm] Diameter top drain, Dura-Coated cast iron body with side outlet, static extension, seepage pan, combination membrane flashing clamp and frame for Sur-Set bucket with medium duty slotted grate.

OPTIONS (Check/specify appropriate options)

OUTLET (Specify type)

- _____ IP Threaded
- _____ IP Threaded

PIPE SIZE (Specify size)

- _____ 2,3,4 [51, 76, 102]
- _____ 5,6 [127, 152]

'E' BODY HT. DIMENSION

- 5-3/4 [146]
- 7-7/8 [200]

PREFIXES

- _____ Z D.C.C.I. Body and Grate*
- _____ ZB D.C.C.I. Body with Polished Bronze Grate (Add 3/16 [5] to 2 [51] Dim.)
- _____ ZN D.C.C.I. Body with Polished Nickel Bronze Grate (Add 3/16 [5] to 2 [51] Dim.)

SUFFIXES

- _____ -G Galvanized Cast Iron
- _____ -V Backwater Valve (See Z1099)
- _____ -VP Vandal Proof Secured Top

* Regularly furnished unless otherwise specified.