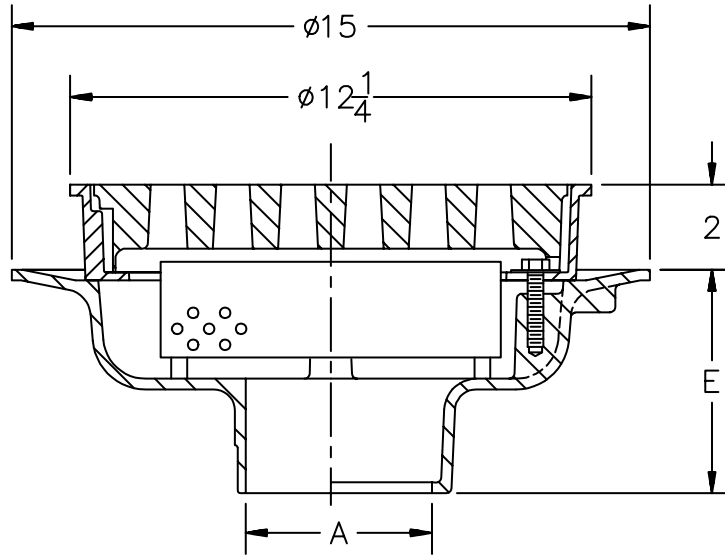




**Z-541-104**  
**12" DIAMETER EXTRA HEAVY DUTY DRAIN**

TAG \_\_\_\_\_

Dimensional Data (inches or [ mm ]) are Subject to Manufacturing Tolerances and Change Without Notice



A- Pipe Size In.	Approx. Wt. Lbs.	Grate Open Area Sq. In.
2-3-4-5-6	52	30
8-10	54	

**ENGINEERING SPECIFICATION:** ZURN Z-541-104 12 Diameter top drain. Dura-Coated cast iron body with bottom outlet, seepage pan and combination membrane flashing clamp and frame for extra heavy duty cast iron deep flange slotted grate (30,000# load cap.) with sediment bucket.

**OPTIONS** (Check/specify appropriate options)

**PIPE SIZE**

- 2 thru 6, 8, 10
- 2, 3, 4, 6
- 2 thru 6, 8, 10
- 2 thru 6, 8, 10
- 2 thru 4
- 5, 6

(Specify size/type) **OUTLET**

- \_\_\_ IC Inside Caulk
- \_\_\_ IG Inside Caulk w/Sealtrol Gskt.
- \_\_\_ IP Threaded
- \_\_\_ NH No-Hub
- \_\_\_ NL Neo-Loc
- \_\_\_ NL Neo-Loc

**'E' BODY HT. DIM.**

- 5 1/4
- 5 1/4
- 3 3/4
- 5 1/4
- 4 5/8
- 5 1/2

**PREFIXES**

- \_\_\_ Z- D.C.C.I. Body and Grate\*

**SUFFIXES**

- \_\_\_ -DG Duresist Grate
- \_\_\_ -G Galvanized Cast Iron
- \_\_\_ -P Trap Primer Connection
- \_\_\_ -S Secondary Strainer
- \_\_\_ -SS Stainless Mesh Liner for Bucket
- \_\_\_ -V Backwater Valve (See Z-1099)
- \_\_\_ -90 90° Threaded Side Outlet Body (2 thru 6)

REV.	DATE: 05/08/95	C.N. NO. 71785
DWG. NO. P-14172 PRODUCT NO. Z-541-104		

\*REGULARLY FURNISHED UNLESS OTHERWISE SPECIFIED