



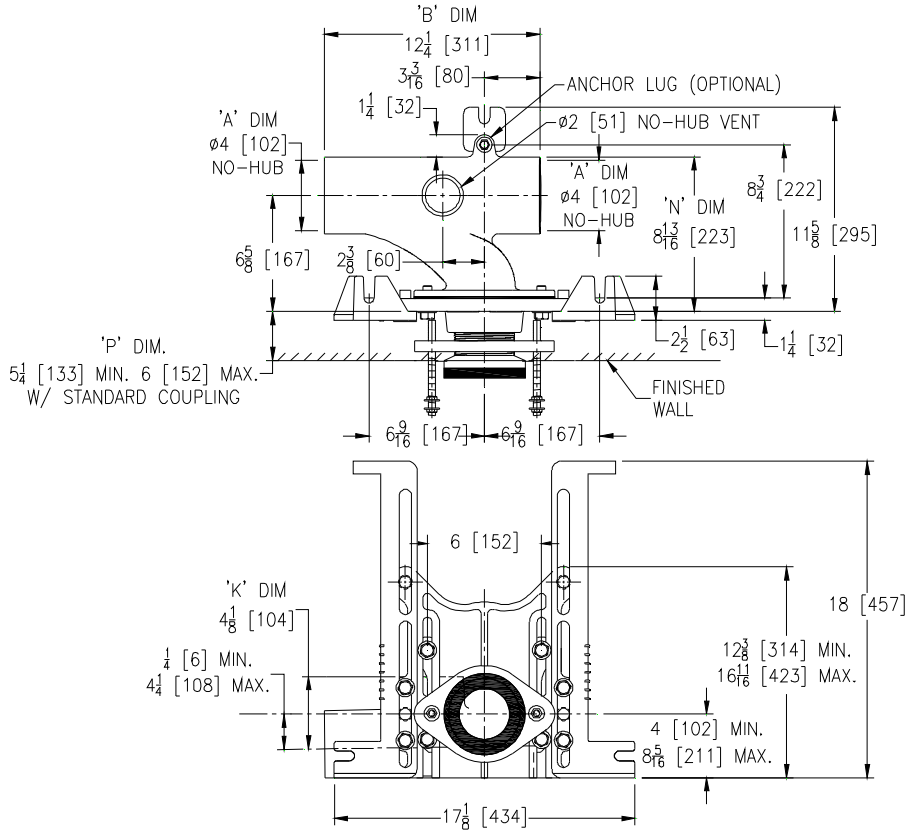
Z1201-N_4-96

SPECIFICATION SHEET

EZCARRY™ ADJUSTABLE HORIZONTAL HIGH PERFORMANCE SIPHON
JET NO-HUB WATER CLOSET CARRIER SYSTEM FOR LOW ROUGH-IN
WITH FLOOR MOUNTED, BACK OUTLET FIXTURE SUPPORT

TAG _____

Dimensional Data (inches and [mm]) are Subject to Manufacturing Tolerances and Change Without Notice



Product Number	Approx. Wt. lbs [kg]
Z1201-NL4-96	50 [23]
Z1201-NR4-96	

Note:

1. Min, "P" Dim. Obtainable = 2 [51].
2. Feet bolted to floor using min. 1/2 [13] dia. anchors.

Z1201-NR4-96 Illustrated

ENGINEERING SPECIFICATION: ZURN Z1201-N_4-96

EZCarry™ horizontal siphon jet water closet carrier system with high performance waterway and 4" [102mm] No-Hub connections. System includes Dura-Coated cast iron main fitting with hydro-mechanically optimized sweep and extended 2" [51mm] vent, adjustable gasketed modified faceplate, universal floor mounted pre-fab slotted foot supports, heavy-duty 1/2" [13mm] rear anchor tie down, fixture bolts, trim, stud protectors, bonded "Neo-Seal" gasket, and corrosion resistant, adjustable 3" [76mm] dia. X 6" [152mm] coupling with integral test cap designed to increase flow velocity and line carry. Complete with floor mounted, back outlet fixture support.

OPTIONS (Check/specify appropriate options)

- ___ Z1201-NL4-96 4 [102] No-Hub Left Hand Inlet with Flow to Right
- ___ Z1201-NR4-96 4 [102] No-Hub Right Hand Inlet with Flow to Left

PREFIXES

- ___ Z D.C.C.I. System with Zurn ZZ Adjustable Coupling*
- ___ ZQ D.C.C.I. System with NPT Faceplate, Non-Adjustable Coupling

SUFFIXES

- | | |
|---|--|
| ___ -A Auxiliary Support Assembly
(For 'P' Dim. Greater than 18 [457]) | ___ -G Galvanized Cast Iron |
| ___ -CC Corrosion Resistant Cast Iron Coupling
(2-1/4 [57] to 12 [305]) | ___ -JC 2 [51] Auxiliary Inlet with 1/8 Bend
Auxiliary Foot Support |
| ___ -CE EZ-Set™ Coupling (Available 6 [152], 12 [305] or
longer when specified. Minimum length=5 [127]) | ___ -M (for 'P' Dim. 7 thru 18 [178 thru 457])
Unistrut Pre-Fab Foot Support |
| ___ -CL Custom Length Standard Coupling with Integral Test
Cap (Specify Length 4, 8, 10, 12 [102, 203, 254, 305]) | ___ -RYK One Piece Unistrut Pre-Fab Foot
Vandal-Proof Trim |
| ___ -CS 2-1/4 [57] Polymer Coupling with Integral Test Cap | ___ -VP Finishing Frame for Siphon Jet System |
| | ___ -45 Flush Valve Supply Support for Water
Closets |
| | ___ -50 |

* Regularly furnished unless otherwise specified.