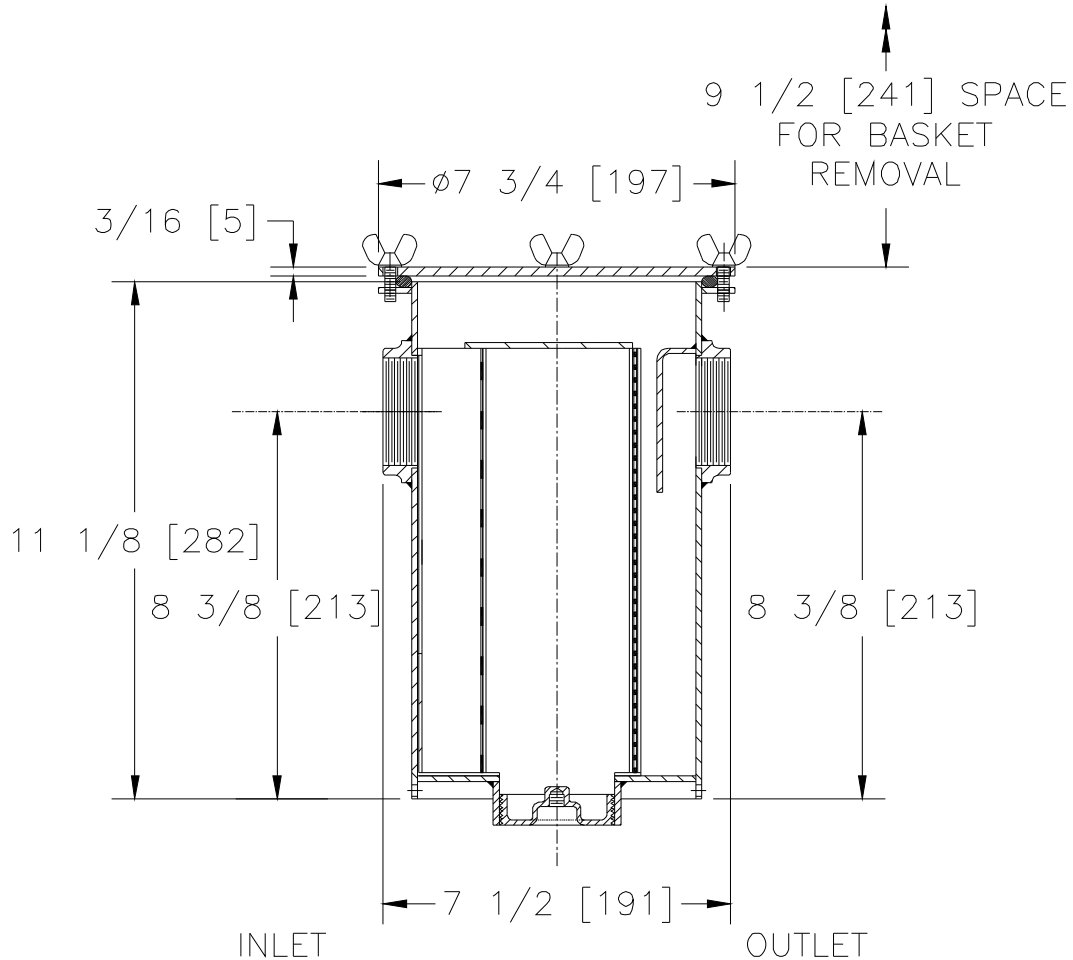




**Z1180-85**  
**SOLIDS INTERCEPTOR**  
**WITH BOTTOM CONNECTION**

TAG \_\_\_\_\_

Dimensional Data (inches and [ mm ]) are Subject to Manufacturing Tolerances and Change Without Notice



Inlet/Outlet Inches	Flow Rate GPM [L]	Approx. Wt. Lbs. [kg]
1-1/2, 2** [38, 50]	15 [57]	10 [4]

**ENGINEERING SPECIFICATION:** ZURN Z1180-85 Acid Resistant Coated interior and exterior steel interceptor, in lieu of fixture 'P' trap, for on-floor installation with removable primary and secondary flow diffusing/intercepting screens, and sediment bucket, with top access gasketed cover, and bottom cleanout. Regularly furnished with 2 [50] low inlet and high outlet. \*\* Mesh size is 1/8 [3].

**OPTIONS** (Check/specify appropriate options)

**PREFIXES**

\_\_\_ Z Acid Resistant Coated Fabricated Steel\*

**SUFFIXES**

\_\_\_ -SS Stainless Mesh Screen for Basket  
 \_\_\_ -YR Replacement Basket Assembly

REV.	DATE: 6/2/10	C.N. NO. 111207
DWG. NO. 300767	PRODUCT NO. Z1180-85	

\*REGULARLY FURNISHED UNLESS OTHERWISE SPECIFIED