



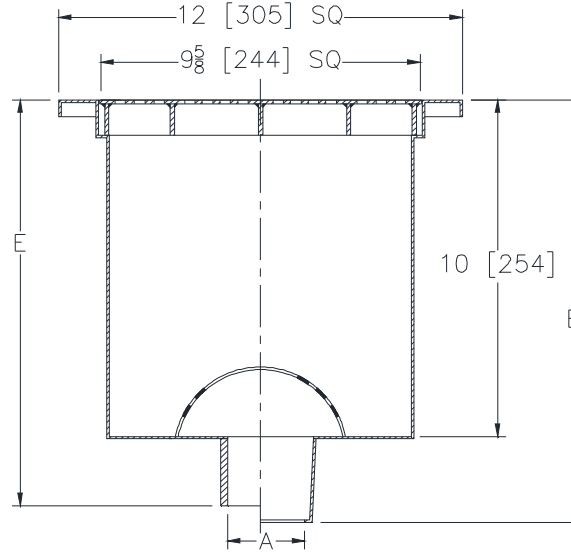
Z1752-153

12 X 12 [305 X 305] 14 GAGE SANI-FLOR RECEPTOR
10 [254] SUMP DEPTH

SPECIFICATION SHEET

TAG _____

Dimensional Data (inches and [mm]) are Subject to Manufacturing Tolerances and Change Without Notice



A Pipe Size In [mm]	Approx. Wt. Lbs. [kg]	Grate Open Area Sq. In. [cm ²]
2,3,4 [51,76,102]	18 [9]	23 [148]
6 [152]	20 [9]	

ENGINEERING SPECIFICATION: ZURN Z1752-153

12" x 12" x 10" [305mm x 305mm x 254mm] deep, 14 gage, All Type 304 (CF8) Stainless Steel light-duty Sani-Flor receptor with non-tilt, loose set full grate with 1/2" [13mm] square openings and anti-splash interior dome strainer.

OPTIONS (Check/specify appropriate options)

PIPE SIZE

- 2,3,4 [51,76,102]
- 2 [51]
- 3 [76]
- 4 [102]
- 2,3,4,6 [51,76,102,152]
- 2,3,4 [51,76,102]

(Specify size/type) **OUTLET**

- _____ IC Inside Caulk
- _____ IP Threaded
- _____ IP Threaded
- _____ IP Threaded
- _____ NH No-Hub
- _____ NL Neo-Loc

'E' BODY HT. DIM.

- 12-9/16 [319]
- 11-5/16 [287]
- 11-9/16 [294]
- 12-1/16 [306]
- 12-1/16 [306]
- 11-13/16 [300]

PREFIXES

- _____ Z Type 304 (CF8) Stainless Steel Body*
- _____ ZM Type 316 (CF8M) Stainless Steel

SUFFIXES

- | | |
|---|---|
| _____ -DX Dex-o-tex Flange | _____ -5 Grate w/ 4[102] Dia. x 3-3/4[95] High Type 304 Stainless Steel Oval Funnel |
| _____ -HD Extra Heavy-Duty Grate | _____ -8 Grate w/ 8-3/8 x 3-5/8 x 3-3/4 [213x92x95] High Type 304 Stainless Steel Oval Funnel |
| _____ -HP Heep-Proof Grate | _____ -15 Solid cover |
| _____ -K Anchor Flange w/ Seepage Holes | _____ -16 1/2 Solid Cover |
| _____ -KC Anchor Flange w/ Seepage Holes and Clamp Collar | _____ -17 3/4 Solid Cover |
| _____ -LSH (Less) Seepage Holes | _____ -18 Solid Cover w/ 3 [76] Square Center Opening |
| _____ -P 1/2 [13] Trap Primer Connection | |
| _____ -TC Neo-Loc Test Cap Gasket (2,3,4 [51,76,102] NL Bottom Outlet Only) | |
| _____ -VP Vandal-Proof Secured Top | |
| _____ -Y Sediment Bucket | |
| _____ -1 (less) Grate | |
| _____ -2 1/2 Grate | |
| _____ -3 3/4 Grate | |
| _____ -4 Full Grate w/ 3 [76] Square Center Opening | |

* Regularly furnished unless otherwise specified.