



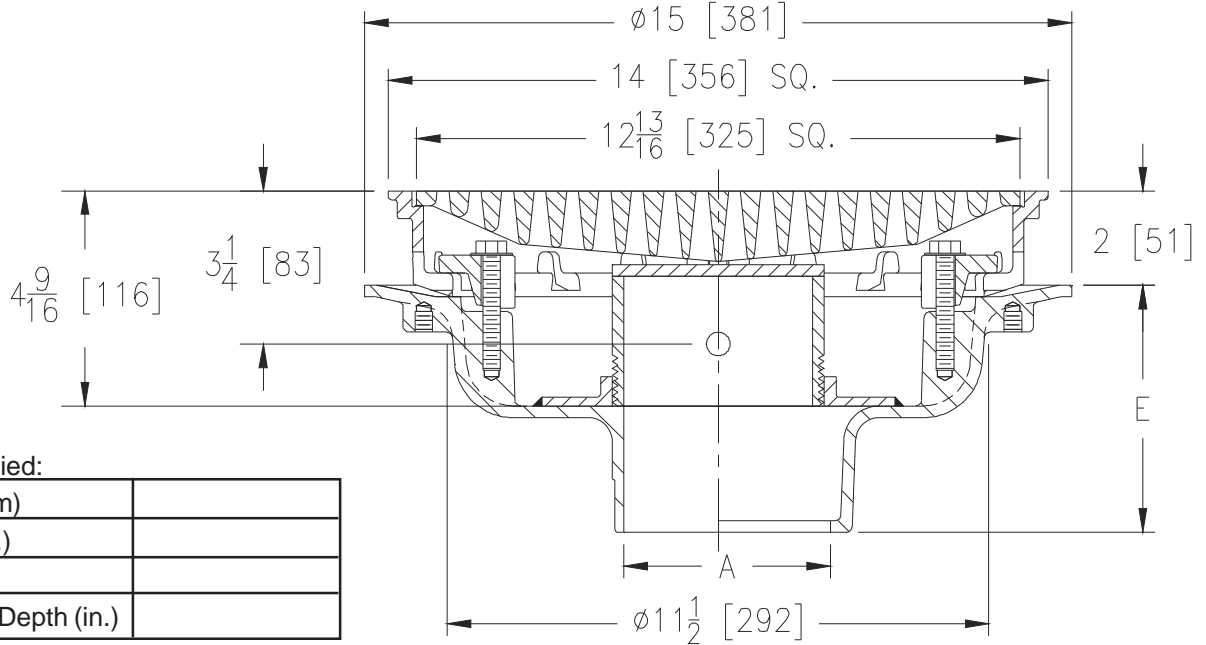
Z150-138

14 [356] SQUARE TOP PROM-DECK DRAIN W/ SECURED HEEL-PROOF GRATE, ROTATABLE FRAME, & CONTROL-FLO STANDPIPE

SPECIFICATION SHEET

TAG _____

Dimensional Data (inches and [mm]) are Subject to Manufacturing Tolerances and Changes Without Notice



Must be specified:

Flow Rate (gpm)	
Orifice Dia. (in.)	
Orifice Qty	
Max. Ponding Depth (in.)	

A- Pipe Size In.	Approx. Wt. Lbs. [kg]	Grate Open Area Sq. In. [cm ²]
2-3-4 [51-76-102]	53 [24]	44 [284]
5-6 [127-152]		

ENGINEERING SPECIFICATION: ZURN Z150-138

14 [356] Square Top Prom-Deck drain. Dura-Coated cast iron body with rotatable square promenade frame with seepage openings, frame clamps, secured heavy-duty heel-proof grate, and solid top Control-Flo standpipe.

OPTIONS (Check/specify appropriate options)

PIPE SIZE

- 2 thru 6 [51 thru 152]
- 2 thru 6 [51 thru 152]
- 2 thru 6 [51 thru 152]
- 2-3-4 [51-76-102]

(Specify size/type) OUTLET

- ___ IC Inside Caulk
- ___ IP Threaded
- ___ NH No-Hub
- ___ NL Neo-Loc

E BODY HT. DIM.

- 5-1/4 [133]
- 3-3/4 [95]
- 5-1/4 [133]
- 4-9/16 [116]

PREFIXES

- ___ Z D.C.C.I. Body with Top*
- ___ ZB D.C.C.I. Body with Polished Bronze Top (Add 3/16 [5] to 2 [51] Dim & 3/8 [10] to 14 [356] Dim.)
- ___ ZN D.C.C.I. Body with Polished Nickel Bronze Top (Add 3/16 [5] to 2 [51] Dim. & 3/8 [10] to 14 [356] Dim.)

SUFFIXES

- | | |
|---|--|
| ___ -AR Acid Resistant Epoxy Coated | ___ -EA Adjustable Extension Assembly |
| ___ -C Underdeck Clamp | 2-1/8 [54] thru 3-1/2 [89] |
| ___ -DE Deck Extension | ___ -EB Top-Set® Adjustable Extension Assembly |
| ___ -DG Duresist Grate | ___ -G Galvanized Cast Iron |
| ___ -DP Top-Set® Roof Deck Plate | ___ -R Roof Sump Receiver |
| (Replaces both the -C and -R) | ___ -SC Secondary Clamp Collar |
| ___ -DR Top-Set® Drain Riser | ___ -VP Vandal-Proof Secured Top |
| (Adjustment from 3-5/8 [92] to 7-1/4 [184]) | ___ -XJ Vertical Expansion Joint (See Z190) |
| ___ -DT Decorative Polished Top (ZB and ZN Only) | ___ -85 Stainless Steel Perforated Extension |
| ___ -DX Dex-o-tex Flange (ZB and ZN Only) | |
| ___ -E Static Extension 1 [25] thru 4 [102] (Specify Ht.) | |

*REGULARLY FURNISHED UNLESS OTHERWISE SPECIFIED

REV. DATE: 03/20/13 C.N. NO. 128980

PROD./DWG. NO. Z150-138