



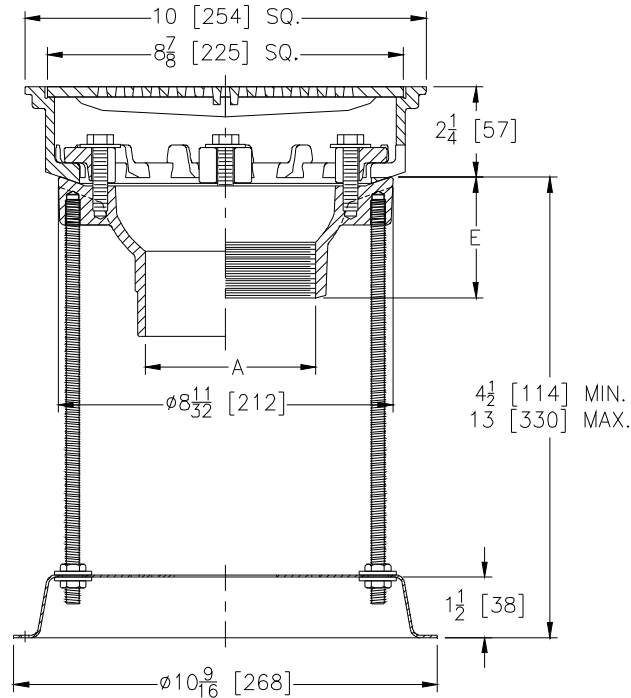
Z158-106

10 [254] SQUARE TOP PROM-DECK DRAIN WITH HEELPROOF GRATE, ROTATABLE FRAME & STABILIZER ASSEMBLY

SPECIFICATION SHEET

TAG _____

Dimensional Data (inches and [mm]) are Subject to Manufacturing Tolerances and Change Without Notice



A Pipe Size In.	Approx. Wt. Lbs. [kg]	Grate Open Area Sq. In. [cm ²]
2,3,4 [51,76,102]	20 [9]	21 [136]

ENGINEERING SPECIFICATION: ZURN Z158-106

10" [254mm] Square Top Prom-Deck drain, Dura-Coated cast iron body with rotatable square promenade frame with seepage openings, frame clamps, light duty heel-proof grate and stabilizing assembly.

OPTIONS (Check/specify appropriate options)

PIPE SIZE

2,3,4 [51,76,102]
4 [102]
3 [76]
2 [51]
2,3,4 [51,76,102]
2,3,4 [51,76,102]

(Specify size/type) OUTLET

___ IC Inside Caulk
___ IP Threaded
___ IP Threaded
___ IP Threaded
___ NH No-Hub
___ NL Neo-Loc

'E' BODY HT. DIM.

3-7/8 [98]
3 [76]
2-3/4 [70]
2-7/16 [62]
4 [102]
3-13/16 [97]

PREFIXES

___ Z D.C.C.I. Body with Top*
___ ZB D.C.C.I. Body with Polished Bronze Top (Add 3/16 [5] to 2-1/4 [57] Dim & 5/8 [16] to 10 [254] Dim.)
___ ZN D.C.C.I. Body with Polished Nickel Bronze Top (Add 3/16 [5] to 2-1/4 [57] Dim & 5/8 [16] to 10 [254] Dim.)

SUFFIXES

___ -AR Acid Resistant Epoxy Coated Finish
___ -C Underdeck Clamp
___ -DG Duresist Grate
___ -E 2 [51] High Static Extension
___ -G Galvanized Cast Iron
___ -SC Secondary Clamp Collar
___ -TC Neo-Loc Test Cap Gasket (2[51] - 4[102] NL Bottom Outlet only)

___ -TS Top Secured with Slotted Screws
___ -VP Vandal-Proof Secured Top
___ -XJ Vertical Expansion Joint (See Z190)
___ -Y Sediment Bucket
___ -85 Stainless Steel Perforated Extension

Note: -DP and -90 option can not be specified together.

* Regularly furnished unless otherwise specified.