

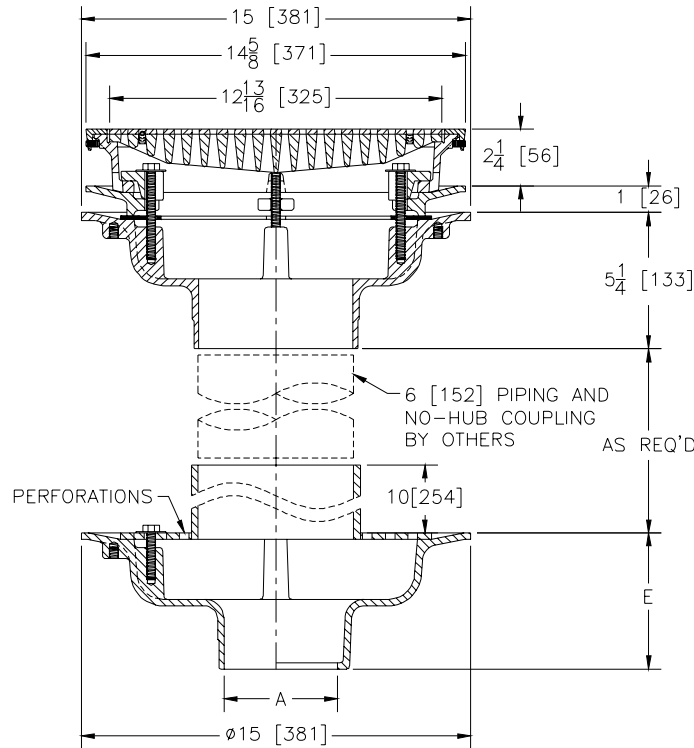


Z624-96 ISOLATION DECK DRAIN W/ ZN150 SQUARE TOP PROM-DECK DRAIN

SPECIFICATION SHEET

TAG _____

Dimensional Data (inches and [mm]) are Subject to Manufacturing Tolerances and Change Without Notice



A- Pipe Size In.	Approx. Wt. Lbs. [kg]	Grate Open Area Sq. In. [cm ²]
2-3-4 [51-76-102]	85 [39]	29 [187]
5-6 [126-153]		

ENGINEERING SPECIFICATION: ZURN Z624-96

Dura-Coated cast iron upper and lower bodies. Lower body complete with perforated clamp collar and 6 [152] No-Hub standpipe. Upper body complete with 6 [152] No-Hub bottom outlet, rotatable square promenade frame with seepage openings, frame clamps, static extension, and heavy-duty heel-proof grate with nickel bronze finish.

OPTIONS (Check/specify appropriate options)

PIPE SIZE

- 2 thru 6 [51 thru 152]
- 2 thru 4, 6 [51 thru 102, 152]
- 2 thru 6 [51 thru 152]
- 2 thru 6 [51 thru 152]
- 2 thru 4 [51 thru 102]

(Specify size/type) **OUTLET**

- _____ IC Inside Caulk
- _____ IG Inside Caulk w/Sealtrol Gskt.
- _____ IP Threaded
- _____ NH No-Hub
- _____ NL Neo-Loc

'E' BODY HT. DIM.

- 5 1/4 [133]
- 5 1/4 [133]
- 3 3/4 [95]
- 5 1/4 [133]
- 4 5/8 [117]

PREFIXES

- _____ ZB D.C.C.I Body w/ Polished Bronze Top
- _____ ZN D.C.C.I Body w/ Polished Nickel Bronze Top*

SUFFIXES

- _____ -AR Acid Resisting Epoxy Coated Cast Iron
- _____ -C Underdeck Clamp (Lower Body)
- _____ -DG Duresist Grate
- _____ -DP Top-Set[®] Deck Plate (Lower Body)
- _____ -DX Dex-o-tex Flange (Upper Body)
- _____ -G Galvanized Cast Iron
- _____ -R Sump Receiver (Lower Body)
- _____ -TS Top Secured with Slotted Screws
- _____ -VP Vandal-Proof Secured Top

REV.	DATE: 11/13/09	C.N. NO. 110420
DWG. NO. P-15800		PRODUCT NO. Z624-96

*REGULARLY FURNISHED UNLESS OTHERWISE SPECIFIED