



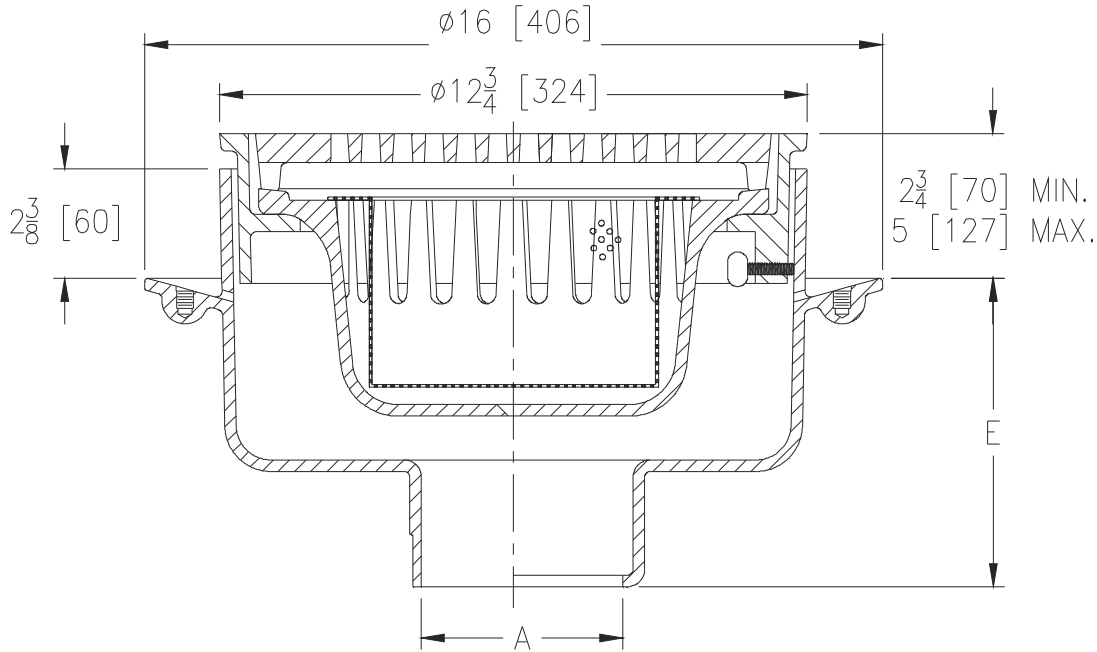
# Z521-87

## 12 [305] DIAMETER ADJUSTABLE HEAVY-DUTY DRAIN WITH MESH LINED SEDIMENT BUCKET

SPECIFICATION SHEET

TAG \_\_\_\_\_

Dimensional Data (inches and [ mm ]) are Subject to Manufacturing Tolerances and Change Without Notice



A Pipe Size In. [mm]	Approx. Wt. Lbs. [kg]	Grate Open Area Sq. In. [cm <sup>2</sup> ]
3,4,5,6 [76,102,127,152]	60 [27]	30 [194]

### ENGINEERING SPECIFICATION: ZURN Z521-87

12" [305mm] Diameter top drain, Dura-Coated cast iron body with bottom outlet, seepage pan and adjustable extension frame with heavy-duty tractor grate, and stainless steel mesh lined sediment bucket.

### OPTIONS (Check/specify appropriate options)

#### PIPE SIZE

3,4,5,6 [76,102,127,152]  
3,4,6 [76,102,152]  
4,5,6 [102,127,152]  
4 [102]

#### (Specify size/type) OUTLET

\_\_\_ IC Inside Caulk  
\_\_\_ IG Inside Gasket  
\_\_\_ IP Threaded  
\_\_\_ NL Neo-Loc

#### 'E' DIM.

6-5/8 [168]  
6-5/8 [168]  
5-1/4 [133]  
5-7/8 [149]

#### PREFIXES

\_\_\_ Z D.C.C.I. Body and Top\*  
\_\_\_ ZB D.C.C.I. Body with Polished Bronze Top (Add 3/16 [5] to 2-3/4 [70] - 5 [127] Dim.)  
\_\_\_ ZN D.C.C.I. Body with Polished Nickel Bronze Top (Add 3/16 [5] to 2-3/4 [70] - 5 [127] Dim.)

#### SUFFIXES

\_\_\_ -C Clamp Collar  
\_\_\_ -DG Duresist Grate  
\_\_\_ -F Extension Frame (3 [76] Min. - 8 [203] Max.)  
\_\_\_ -SC Solid Cover  
\_\_\_ -T Square Top  
\_\_\_ -TC Neo-Loc Test Cap Gasket (4 [102] NL Bottom Outlet Only)  
\_\_\_ -TS Top Secured with Slotted Screws  
\_\_\_ -V Backwater Valve (See Z1099)  
\_\_\_ -VP Vandal-Proof Secured Top

\* Regularly furnished unless otherwise specified.