



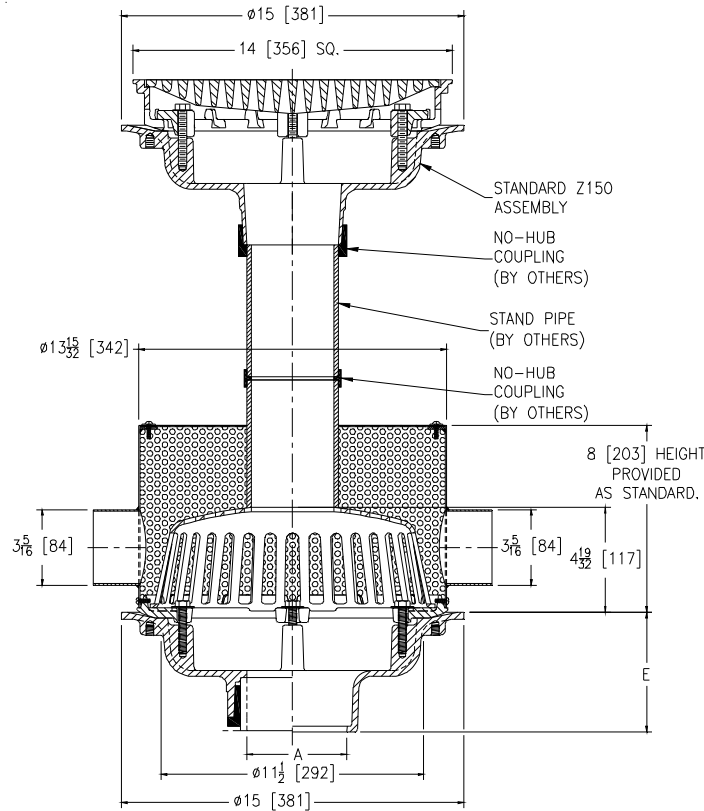
Z110-84

15 [381] DIAMETER MAIN GREEN ROOF DRAIN WITH PERFORATED SCREEN ASSEMBLY, DUAL 3 [76] AUXILIARY INLETS, 4 [102] NO-HUB STANDPIPE, AND Z150 PROM-DECK DRAIN

SPECIFICATION SHEET

TAG _____

Dimensional Data (inches and [mm]) are Subject to Manufacturing Tolerances and Change Without Notice



A Pipe Size Inches [mm]	Approx. Wt. Lbs. [kg]	Dome Open Area Sq. In. [cm ²]
2,3,4 [51,76,102]	30 [14]	103 [665]
6 [152]	32 [15]	
8 [203]	33 [15]	

ENGINEERING SPECIFICATION: ZURN Z110-84

15" [381mm] Diameter green roof drain. Dura-Coated cast iron body with combination membrane flashing clamp/gravel guard and low silhouette cast iron dome. Complete with secured type 304 (CF8) stainless steel perforated screen assembly with dual 3" [76mm] auxiliary inlets, 4" [102mm] No-Hub standpipe (by others) and Z150 Prom-Deck drain.

OPTIONS (Check/specify appropriate options)

PIPE SIZE

- 3,4,6 [76,102,152]
- 3,4,6,8 [76,102,152,203]
- 2,3,4,6,8 [51,76,102,152,203]
- 2,3,4 [51,76,102]
- 6 [152]

(Specify size/type) OUTLET

- _____ IC Inside Caulk
- _____ IP Threaded
- _____ NH No-Hub
- _____ NL Neo-Loc
- _____ NL Neo-Loc

'E' BODY HT. DIM.

- 5-1/4 [133]
- 3-3/4 [95]
- 5-1/4 [133]
- 4-9/16 [116]
- 5-7/16 [112]

PREFIXES

- _____ ZC D.C.C.I. Body with Cast Iron Dome

SUFFIXES

- | | |
|---|--|
| _____ -AC Angular Underdeck Clamp | _____ -G Galvanized Cast Iron |
| _____ -AR Acid Resistant Epoxy Coated | _____ -R Roof Sump Receiver |
| _____ -C Underdeck Clamp | _____ -ST Dome with Solid Top |
| _____ -DE Deck Extension | _____ -TC Neo-Loc Test Cap Gasket |
| _____ -DP Top-Set® Deck Plate (Replaces both the -C and -R) | (2,3,4 [51,76,102] NL Bottom Outlet Only) |
| _____ -E Static Extension 1 [25] thru 4 [102] (Specify Ht.) | _____ -VP Vandal-Proof Secured Screen Cover |
| _____ -EA Adjustable Extension Assembly | _____ -W2 2 [51] Internal Water Dam |
| 2-1/8 [54] thru 3-1/2 [89] | _____ -W3 3 [76] Internal Water Dam |
| _____ -EB Top-Set® Adjustable Extension Assembly | _____ -W4 4 [102] Internal Water Dam |
| | _____ -85 Stainless Steel Perforated Extension |

* Regularly furnished unless otherwise specified.

Zurn Industries, LLC | Specification Drainage Operation
 1801 Pittsburgh Avenue, Erie, PA U.S.A. 16502 · Ph. 855-663-9876, Fax 814-454-7929
 In Canada | Zurn Industries Limited
 3544 Nashua Drive, Mississauga, Ontario L4V 1L2 · Ph. 905-405-8272, Fax 905-405-1292
www.zurn.com

Rev. -
 Date: 8/20/2018
 C.N. No. 140452
 Prod. | Dwg. No. Z110-84