

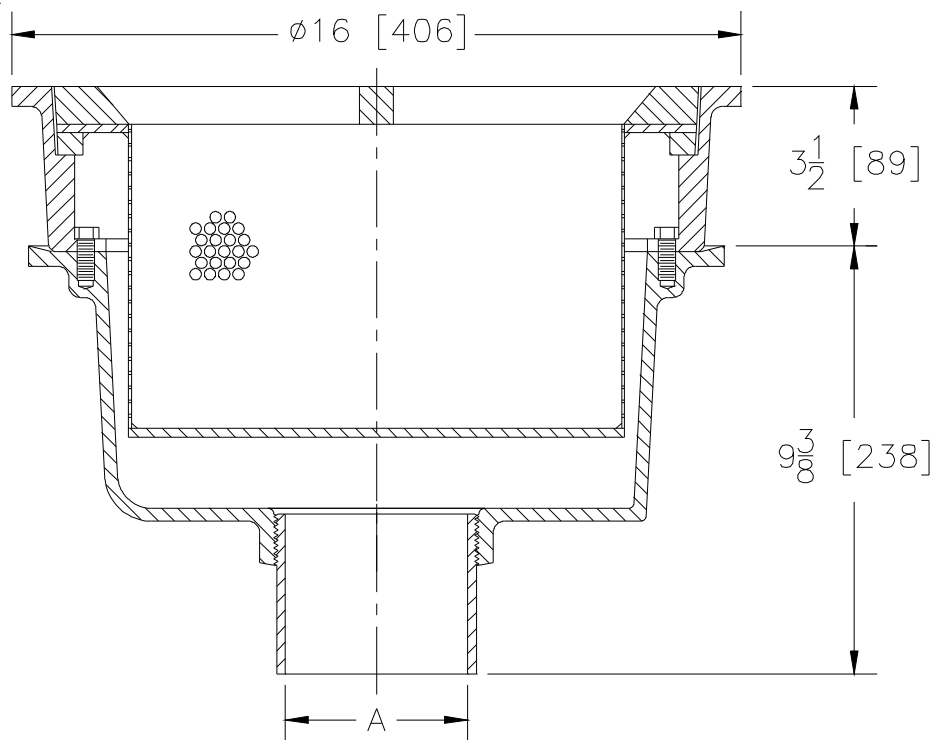


Z-543-91

16" [406] DIAMETER HEAVY DUTY DRAIN W/ Z-1040 NO-HUB OUTLET

TAG _____

Dimensional Data (inches and [mm]) are Subject to Manufacturing Tolerances and Change Without Notice



A- Pipe Size In.	Approx. Wt. Lbs. [kg]	Grate Open Area Sq. In. [cm ²]
3-4-5-6 [75-100-125-150]	135 [61]	45 [290]

ENGINEERING SPECIFICATION: ZURN Z-543-91

16" [406] Diameter top drain, Dura-Coated cast iron deep sump body with Z-1040 No-Hub adapter bottom outlet, seepage pan and combination membrane flashing clamp and frame for heavy duty cast iron slotted grate with suspended sediment bucket.

OPTIONS (Check/specify appropriate options)

PIPE SIZE

3 thru 6 [75 thru 150]

(Specify size/type) **OUTLET**

_____ NH No-Hub

PREFIXES

- _____ Z- D.C.C.I. Body and Grate*
- _____ ZB- D.C.C.I. Body with Polished Bronze Grate (Add 3/16 [5] to 3 1/2 [89] Dim.)
- _____ ZN- D.C.C.I. Body with Polished Nickel Bronze Grate (Add 3/16 [5] to 3 1/2 [89] Dim.)

SUFFIXES

- _____ -DG Duresist Grate
- _____ -G Galvanized Cast Iron
- _____ -TS Top Secured With Slotted Screws
- _____ -VP Vandal Proof Secured Top

REV.	DATE: 7/31/02	C.N. NO. 89731
DWG. NO. P-14919 PRODUCT NO. Z-543-91		

*REGULARLY FURNISHED UNLESS OTHERWISE SPECIFIED