



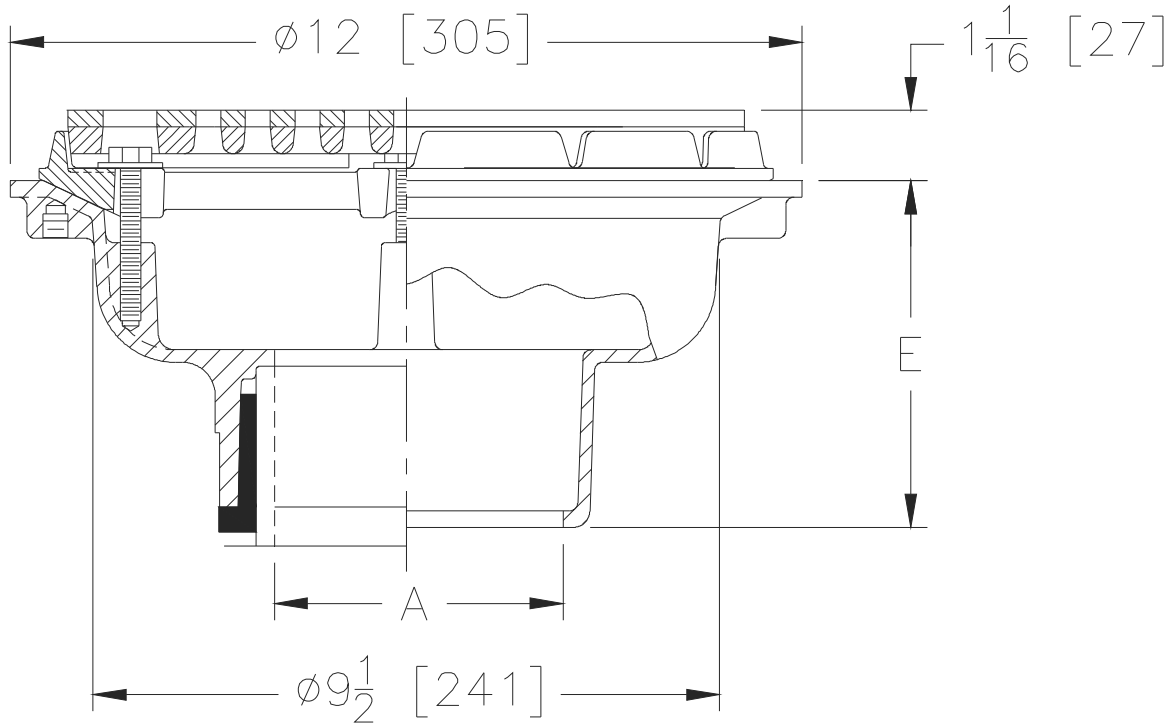
# Z121-126

Ø12 [305] ROOF DRAIN W/ BRONZE VENEER AND FLUSH GRATE

SPECIFICATION SHEET

TAG \_\_\_\_\_

Dimensional Data (inches and [ mm ]) are Subject to Manufacturing Tolerances and Change Without Notice



| A<br>Pipe Size<br>in [mm] | Approx.<br>Wt.<br>lbs [kg] | Grate Open<br>Area<br>in <sup>2</sup> [cm <sup>2</sup> ] |
|---------------------------|----------------------------|--|
| 2,3,4,6 [51,76,102,152]   | 22 [10]                    | 23 [148]   |

**ENGINEERING SPECIFICATION: ZURN Z121-126**

12" [305mm] Diameter roof drain. Dura-Coated cast iron body with combination membrane flashing clamp/gravel guard and flat cast iron grate w/ bronze veneer.

**OPTIONS** (Check/specify appropriate options)

**PIPE SIZE**

- 2,3,4,6 [51,76,102,152]
- 2,3,4,6 [51,76,102,152]
- 2,3,4,6 [51,76,102,152]
- 2,3,4 [51,76,102]

(Specify size/type) **OUTLET**

- \_\_\_\_\_ IC Inside Caulk
- \_\_\_\_\_ IP Threaded
- \_\_\_\_\_ NH No-Hub
- \_\_\_\_\_ NL Neo-Loc

**E BODY HT. DIM.**

- 5-1/4 [133]
- 3-3/4 [95]
- 5-1/4 [133]
- 4-9/16 [116]

**PREFIXES**

- \_\_\_ Z D.C.C.I. Body with Grate with Bronze Veneer\*

**SUFFIXES**

- |  |  |
|--|--|
| ___ -AR Acid Resistant Epoxy Coated  | ___ -R Roof Sump Receiver  |
| ___ -C Underdeck Clamp   | ___ -SC Secondary Clamping Collar  |
| ___ -DP Top Set® Roof Deck Plate<br>Replaces both the -C and -R)                                   | ___ -TC Neo-Loc Test Cap Gasket<br>(2,3,4 [51,76,102] NL Bottom Outlet Only) |
| ___ -DR Adjustable Drain Riser Extension Assembly<br>Adjustable from 3-5/8 [92] to 7-1/4 [184]     | ___ -VP Vandal-Proof Secured Top   |
| ___ -E Static Extension 1 [25] thru 4 [102] (Specify Ht.)  | ___ -XJ Vertical Expansion Joint (See Z190)                                  |
| ___ -EB Top-Set® Adjustable Extension Assembly   | ___ -84 Stainless Steel Perforated Gravel Guard                              |
| ___ -ES Static Extension with Secondary Clamp Collar<br>at Body (For clamping at roof drain body.) | ___ -85 Stainless Steel Perforated Extension                                 |
| ___ -G Galvanized Cast Iron  | ___ -90 90° Threaded Side Outlet Body<br>(2,3,4 [51,76,102] Only)            |

\* Regularly furnished unless otherwise specified.