



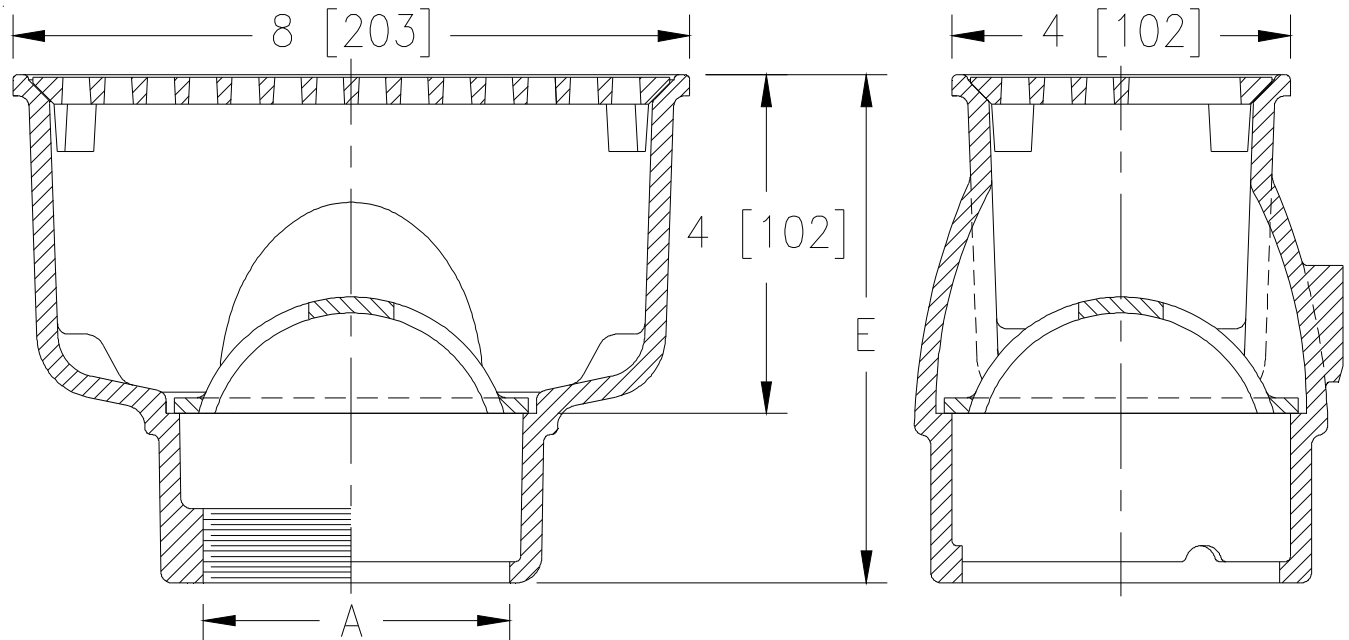
# Z1930-3

8 X 4 [203 X 102] A.R.C. SANI-FLOR RECEPTOR  
4 [102] SUMP DEPTH W/ 3/4 GRATE

SPECIFICATION SHEET

TAG \_\_\_\_\_

Dimensional Data (inches and [ mm ]) are Subject to Manufacturing Tolerances and Change Without Notice



A- Pipe Size In. [mm]	Approx. Wt. Lbs. [kg]	Grate Open Area Sq. In. [cm <sup>2</sup> ]
2,3 [51,76]	11 [5]	12 [77]

### ENGINEERING SPECIFICATION: ZURN Z1930-3

Sani-Flor Receptor 8" x 4" x 4" [203mm x 102mm x 102mm] deep cast iron body and 3/4 square slotted light duty grate, with white acid resisting epoxy coated interior and top, complete with white ABS anti-splash interior bottom dome strainer.

### OPTIONS (Check/specify appropriate options)

#### PIPE SIZE

(Specify size/type) **OUTLET**

3 [76]	_____	IC	Inside Caulk
2,3 [51,76]	_____	IP	Threaded
2,3 [51,76]	_____	NL	Neo-Loc

#### 'E' BODY HT. DIMENSION

Z	ZN
6 [152]	6-3/8 [162]
6 [152]	6-3/8 [162]
5-13/16 [148]	6-3/16 [157]

#### PREFIXES

_____ Z	Cast Iron Body with White A.R.C. Interior*
_____ ZN	Cast Iron Body with White A.R.C. Interior, 8-3/4 x 4-3/4 [222 x 121] Nickel Bronze Frame and Full Grate with 5/16 [8] Square Openings

#### SUFFIXES

_____ -K	Anchor Flange with Seepage Holes	_____ -23	Stainless Steel Bucket
_____ -KC	Anchor Flange with Seepage Holes and Clamp Collar	_____ -25	White A.R.C. Bucket
_____ -LD	(Less) Bottom Dome Strainer	_____ -31	Stainless Steel Mesh Liner for Bucket
_____ -P	1/2 [13] Trap Primer Connection	_____ -32	Aluminum Dome Strainer
_____ -S	Secondary Strainer	_____ -33	White A.R.C. Anti-Splash Bottom Dome Strainer
_____ -TC	Neo-Loc Test Cap Gasket (2,3 [51,76] NL Bottom Outlet Only)		
_____ -11	Vandal-Proof Secured Grate		

\* Regularly furnished unless otherwise specified.