



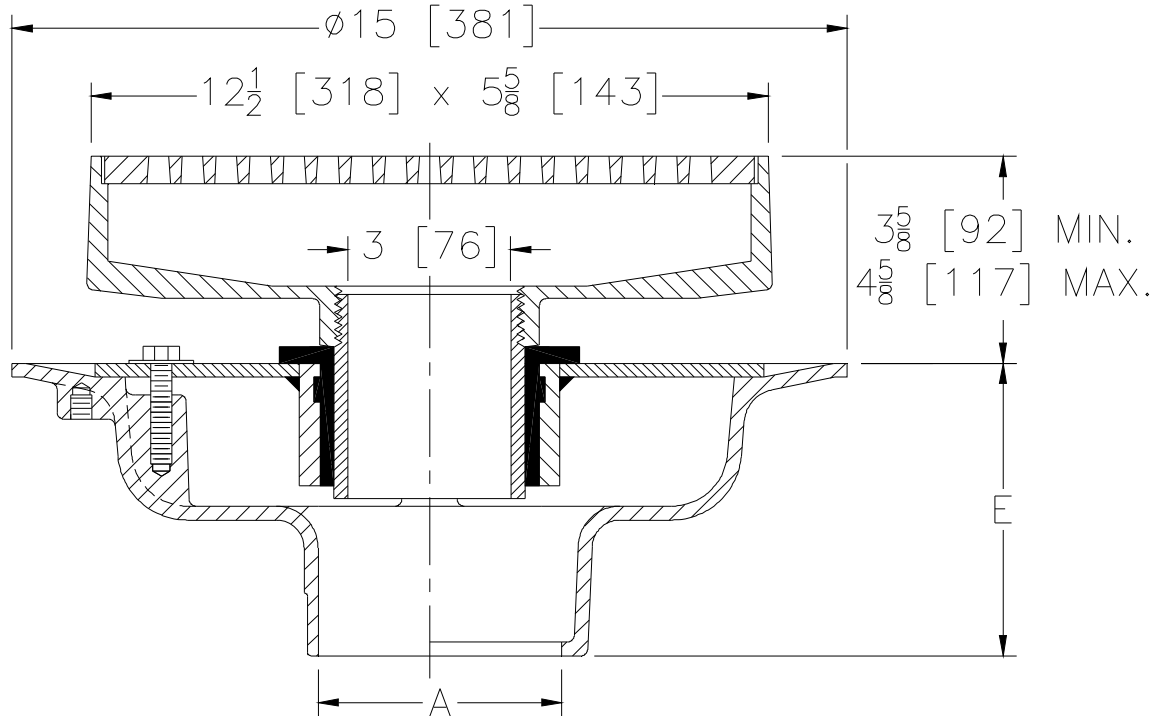
# Z624-102

## ISOLATION DECK DRAIN W/ Z575 UPPER BODY

SPECIFICATION SHEET

TAG \_\_\_\_\_

Dimensional Data (inches and [ mm ]) are Subject to Manufacturing Tolerances and Change Without Notice



A- Pipe Size In.	Approx. Wt. Lbs. [kg]	Grate Open Area Sq. In. [cm <sup>2</sup> ]
2-3-4 [51-76-102]	48 [22]	24 [155]
5-6 [127-152]		

### ENGINEERING SPECIFICATION: ZURN Z624-102

Floating slab drain, Dura-Coated cast iron lower body, clamp collar, neoprene flex gasket and isolation nipple. Rectangular top medium-duty gutter drain, Dura-Coated cast iron upper body with cast iron antitilt slotted grate.

### OPTIONS (Check/specify appropriate options)

#### PIPE SIZE

- 2 thru 6 [51 thru 152]
- 2 thru 4, 6 [51 thru 102, 152]
- 2 thru 6 [51 thru 152]
- 2 thru 6 [51 thru 152]
- 2 thru 4 [51 thru 102]

#### (Specify size/type) OUTLET

- \_\_\_ IC Inside Caulk
- \_\_\_ IG Inside Caulk w/Sealtrol Gskt.
- \_\_\_ IP Threaded
- \_\_\_ NH No-Hub
- \_\_\_ NL Neo-Loc

#### 'E' BODY HT. DIM.

- 5-1/4 [133]
- 5-1/4 [133]
- 3-3/4 [95]
- 5-1/4 [133]
- 4-5/8 [117]

#### PREFIXES

- \_\_\_ Z D.C.C.I Body and Top.\*
- \_\_\_ ZB D.C.C.I Upper and Lower Bodies w/Polished Bronze Grate.
- \_\_\_ ZN D.C.C.I Upper and Lower Bodies w/Polished Nickel Bronze Grate.

#### SUFFIXES

- \_\_\_ -C Underdeck Clamp
- \_\_\_ -DX Dex-o-tex Flange
- \_\_\_ -G Galvanized Cast Iron
- \_\_\_ -R Sump Receiver
- \_\_\_ -SD Longer Standpipe (Specify Height Required)
- \_\_\_ -VP Vandal Proof Secured Top

\*REGULARLY FURNISHED UNLESS OTHERWISE SPECIFIED

REV.	DATE: 06/29/12	C.N. NO. 124513
DWG. NO. 310025	PRODUCT NO. Z624-102	