



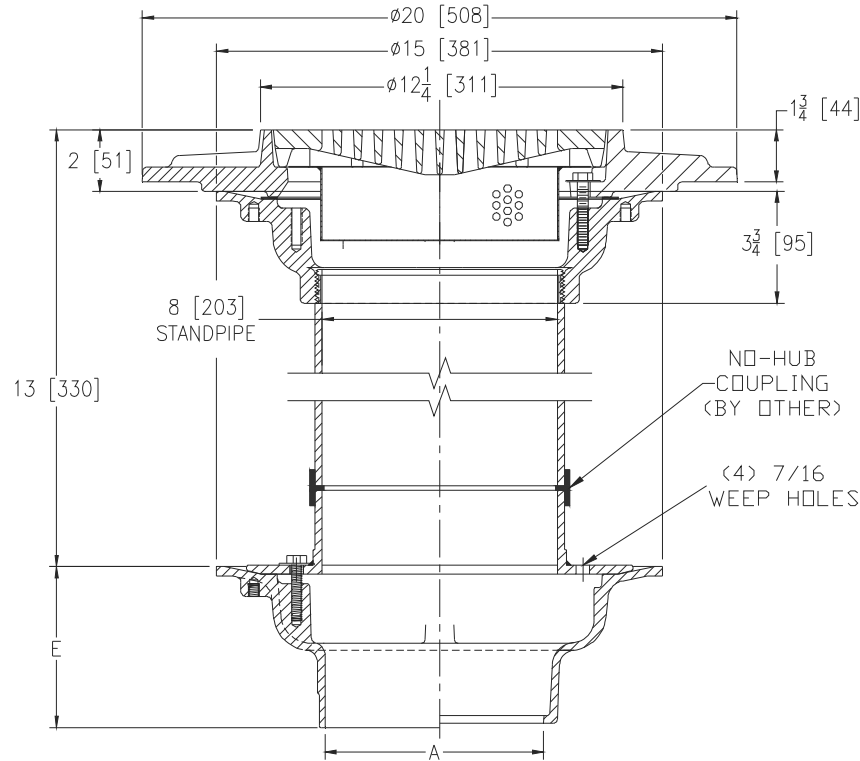
Z624-116

12 [305] DIAMETER PARKING DECK ISOLATION DRAIN
W/ 8 [203] STANDPIPE

SPECIFICATION SHEET

TAG _____

Dimensional Data (inches and [mm]) are Subject to Manufacturing Tolerances and Change Without Notice



A Pipe Size In [mm]	Approx. Wt. Lbs. [kg]	Grate Open Area Sq. In. [cm ²]
8 [203]	118 [54]	30 [194]

ENGINEERING SPECIFICATION: ZURN Z624-116

12" [305mm] Diameter Parking Deck Drain, Dura-Coated cast iron body with bottom outlet, heavy duty gasketed drain support flange, with heavy-duty slotted grate, and sediment bucket. Isolation deck drain features cast iron body and clamping collar with seepage holes, and 8" [203mm] cast iron stand pipe.

OPTIONS (Check/specify appropriate options)

PIPE SIZE

8 [203]
8 [203]
8 [203]

(Specify size/type) **OUTLET**

___ IC Inside Caulk
___ IP Threaded
___ NH No-Hub

'E' BODY HT. DIM.

5-1/4 [133]
3-3/4 [95]
5-1/4 [133]

PREFIXES

___ Z D.C.C.I. Body and Top*
___ ZB D.C.C.I Body w/ Polished Bronze Top (Add 3/16 [5] to 2 [51] Dim and 3/4 [19] to 12-1/4 [311] Dim)
___ ZN D.C.C.I Body w/ Polished Nickel Bronze Top (Add 3/16 [5] to 2 [51] Dim and 3/4 [19] to 12-1/4 [311] Dim)

SUFFIXES

___ -C Underdeck Clamp (Lower Body)
___ -DP Top-Set® Deck Plate (Lower Body)
___ -G Galvanized Cast Iron
___ -HP Heel-Proof Grate
___ -R Sump Receiver (Lower Body)
___ -SA Stabilizer Assembly
___ -SD Longer Standpipe (Specify Height Required)
___ -TS Top Secured with Slotted Screws
___ -VP Vandal-Proof Secured Top

* Regularly furnished unless otherwise specified.

Zurn Industries, LLC | Specification Drainage Operation
1801 Pittsburgh Avenue, Erie, PA U.S.A. 16502 · Ph. 855-663-9876, Fax 814-454-7929
In Canada | Zurn Industries Limited
3544 Nashua Drive, Mississauga, Ontario L4V 1L2 · Ph. 905-405-8272, Fax 905-405-1292
www.zurn.com

Rev. -
Date: 12/08/15
C.N. No. 133610
Prod. | Dwg. No. Z624-116