



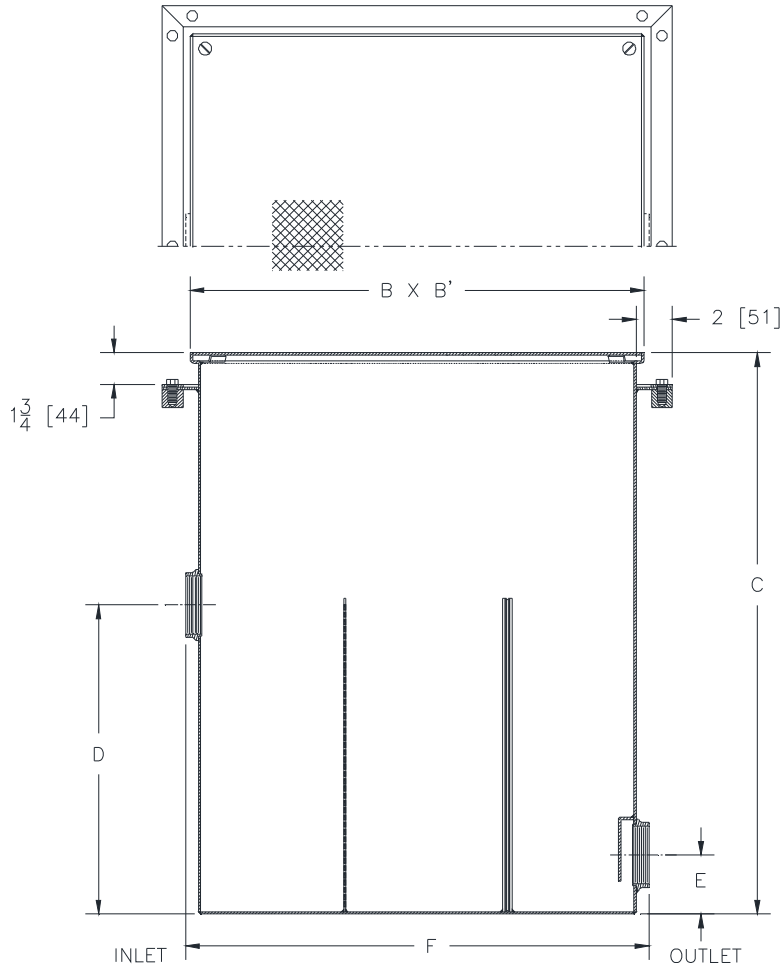
Z1185-165

HEAVY-DUTY LINT INTERCEPTOR WITH ANCHOR FLANGE, CLAMP COLLAR, AND INTEGRAL EXTENSION

SPECIFICATION SHEET

TAG _____

Dimensional Data (inches and [mm]) are Subject to Manufacturing Tolerances and Change Without Notice



Size - No. of Machines	Inlet/Outlet Size - In [mm]	Flow Rate GPM [LPM]	Approx. Wt. Lbs. [kg]	Dimensions in Inches [mm]					
				B	B'	C	D	E	F
30	6 [152]	300 [1136]	1400 [635]	45 [1143]	45 [1143]	76-13/16 [922]	36 [914]	5 [127]	46 [1168]

ENGINEERING SPECIFICATION: ZURN Z1185-165

Acid resistant coated interior and exterior fabricated steel lint interceptor, non-skid heavy-duty secured cover rated at 10,000 lb [4534kg] maximum safe live load with removable lift handle, stainless lint intercepting secondary scree assembly with 3/32" [2mm] square openings and permanent primary straining baffle with 3/8" [10mm] diameter perforated holes. Regularly furnished with high inlet, low outlet and integral extension.

OPTIONS (Check/specify appropriate options)

PREFIXES

___ Z Acid Resistant Coated Fabricated Steel*

SUFFIXES

___ -RS Stainless Steel Screen Replacement Assembly

* Regularly furnished unless otherwise specified.