



Z886-HDS-SW

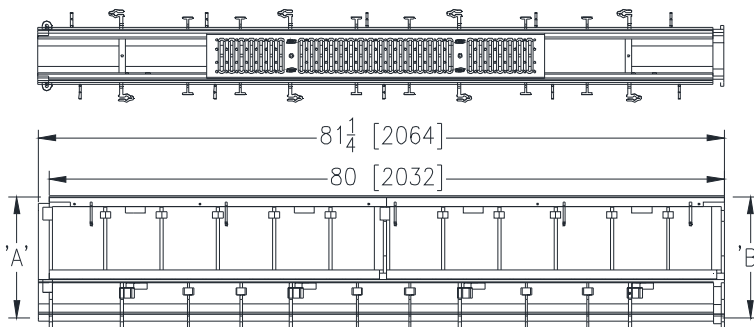
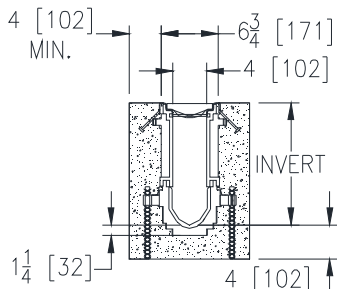
6-3/4 [171] WIDE REVEAL TRENCH DRAIN SYSTEM W/ STAINLESS STEEL EXTRA HEAVY-DUTY FRAME ASSEMBLY AND 9 [229] SIDEWALL EXTENSION

SPECIFICATION SHEET

TAG _____

Dimensional Data (inches and [mm]) are Subject to Manufacturing Tolerances and Change Without Notice

SPECIFYING ENGINEER IS RESPONSIBLE FOR
CONCRETE ENCASEMENT AND REINFORCING
BASED UPON APPLICATION AND LOCAL CODES



NOTE: + Actual Channel length is 81 1/4 [2064] to allow for overlap.

ENGINEERING SPECIFICATION: Zurn Z886-HDS-SW

Channels shall be 80 [2032] long, 6-3/4" [171mm] wide reveal and have a 4" [102mm] throat. Modular channel sections shall be made of 0% water absorbent High Density Polyethylene (HDPE). Shall have a positive mechanical connection between channel sections that will not separate during the installation and shall mechanically lock into the concrete surround every 10" [254mm]. Channels shall weigh less than 2.31 lbs.[1.05kg] per linear foot, have a smooth, 1-1/2" [38mm] radiused self cleaning bottom with a Manning's coefficient of .009 and .75% or neutral 0% built in slope. Channels shall have rebar clips standard to secure trench in its final location. Channels shall have HDPE SW Side Walls attached for an additional 9" [229mm] added to the standard channel invert for additional flow capability shown in chart below. Channels provided with standard RFSC grates that lockdown to the frame. Stainless steel reinforced slotted grate is 5-3/8" [137mm] wide and 40" [1016mm] long, weighing 5.2 lbs per linear foot [7.9 kg/m]. The grate has an open area of 12.08 in² per linear foot [254 cm²/m]. Grate conforms to DIN rating of C, ANSI rating of heavy-duty, ADA compliant* and H-20 load rating. Stainless steel grate conforms to ASTM A351 Type 304 (Grade CF8M Type 316 by request) cast body and A-240 Type 304 (or 316 by request) for grate skin. *Elongated openings must be placed perpendicular to the dominant direction of travel. The .105" [2.66mm] thick Heavy-Duty Stainless Steel Frame Assembly conforms to ASTM specification A-240 (type 304). with 10 - 4" [102mm] long concrete anchors per 80" [2032mm]. Grate lockdown bars are to be integral to the frame.

PREFIX OPTIONS (Check/specify appropriate options)

___ Z Six-foot, Eight-inch High Density Polyethylene (HDPE)*

SUFFIX OPTIONS (Check/specify appropriate options)

Outlet Adapters Add/Each

- ___ -E1 Closed End Cap
- ___ -E2 2 [51] No-Hub End Outlet
- ___ -E3 3 [76] No-Hub End Outlet
- ___ -E4 4 [102] No-Hub End Outlet
- ___ -E6 6 [152] No-Hub End Outlet
- ___ -U2 2 [51] No-Hub Bottom Outlet
- ___ -U3 3 [76] No-Hub Bottom Outlet
- ___ -U4 4 [102] No-Hub Bottom Outlet
- ___ -U6 6 [152] No-Hub Bottom Outlet

Frame Options

- ___ -LD Light-Duty Grates on Heavy Duty Frame

Grate Options (Load Classifications are per DIN EN1433)

- ___ -BDC Black Acid Resistant Epoxy Coated Ductile Grate - Class C
- ___ -BDE Black Acid Resistant Epoxy Coated Ductile Grate - Class E
- ___ -DBG Ductile Iron Cast Bar Grate - Class C
- ___ -DC Ductile Iron Solid Cover - Class C
- ___ -DGC Ductile Iron Slotted Grate - Class C
- ___ -DGE Ductile Iron Slotted Grate - Class E
- ___ -HPD Heel-Proof Ductile Slotted Grate - Class B
- ___ -HPDE Heel-Proof Ductile Slotted Grate - Class E
- ___ -RFSC Reinforced Slotted Stainless Steel Grate - Class C*
- ___ -RPSC Reinforced Perforated Stainless Steel Grate - Class C
- ___ -RPSRC Reinforced Perforated Stainless Steel Reversed Punch Grate - Class C

Miscellaneous Options

- ___ -VP Vandal-Proof Lockdown
- ___ -JC Joint Connector

Decorative Grate Options (Load Classifications are per DIN EN1433)

- ___ -SBG Stainless Steel Bar Grate - Class E

MADE in the U.S.A. (Load Classifications are per DIN EN1433)

- ___ -BDE-USA Black Acid Resistant Epoxy Coated Ductile Grate - Class E
- ___ -DGC-USA Ductile Iron Slotted Grate - Class C (Substitute DGE-USA)
- ___ -DGE-USA Ductile Iron Slotted Grate - Class E
- ___ -HPDE-USA Heel-Proof Ductile Slotted Grate - Class E
- ___ -PPC Plastic Perforated Grate - Class C

Trench No.	'A' Shallow Inv.	'B' Deep Inv.	Flow		
			(cfs)	(gpm)	(lps)
8601SW	12.50 [318]	13.10 [333]	1.25	563	35
8602SW	13.10 [104]	13.70 [348]	1.32	595	38
8603SW	13.70 [119]	14.30 [135]	1.40	627	40
8603NSW	14.30 [135]	14.30 [135]	-	-	-
8604SW	14.30 [235]	14.90 [150]	1.47	659	42
8605SW	14.90 [150]	15.50 [165]	1.54	691	44
8606SW	15.50 [165]	16.10 [180]	1.61	723	46
8606NSW	16.10 [180]	16.10 [180]	-	-	-
8607SW	16.10 [180]	16.70 [196]	1.68	755	48
8608SW	16.70 [196]	17.30 [211]	1.75	788	50
8609SW	17.30 [211]	17.90 [226]	1.83	820	52
8610SW	17.90 [226]	18.50 [241]	1.90	852	54
8611SW	18.50 [241]	19.10 [257]	1.97	884	56
8612SW	19.10 [257]	19.70 [272]	2.04	916	58
8612NSW	19.70 [272]	19.70 [272]	-	-	-
8613SW	19.70 [272]	20.30 [287]	2.11	949	60
8614SW	20.30 [287]	20.90 [302]	2.19	981	62
8615SW	20.90 [302]	21.50 [318]	2.26	1013	64

Miscellaneous Options

- ___ -DB Bottom Dome Strainer

* Regularly furnished unless otherwise specified.

Zurn Industries, LLC | Specification Drainage Operation

1801 Pittsburgh Avenue, Erie, PA U.S.A. 16502 · Ph. 855-663-9876, Fax 814-454-7929

In Canada | Zurn Industries Limited

3544 Nashua Drive, Mississauga, Ontario L4V 1L2 · Ph. 905-405-8272, Fax 905-405-1292

www.zurn.com

Rev. E

Date: 07/24/2017

C.N. No. 137416

Prod. | Dwg. No. Z886-HDS-SW