



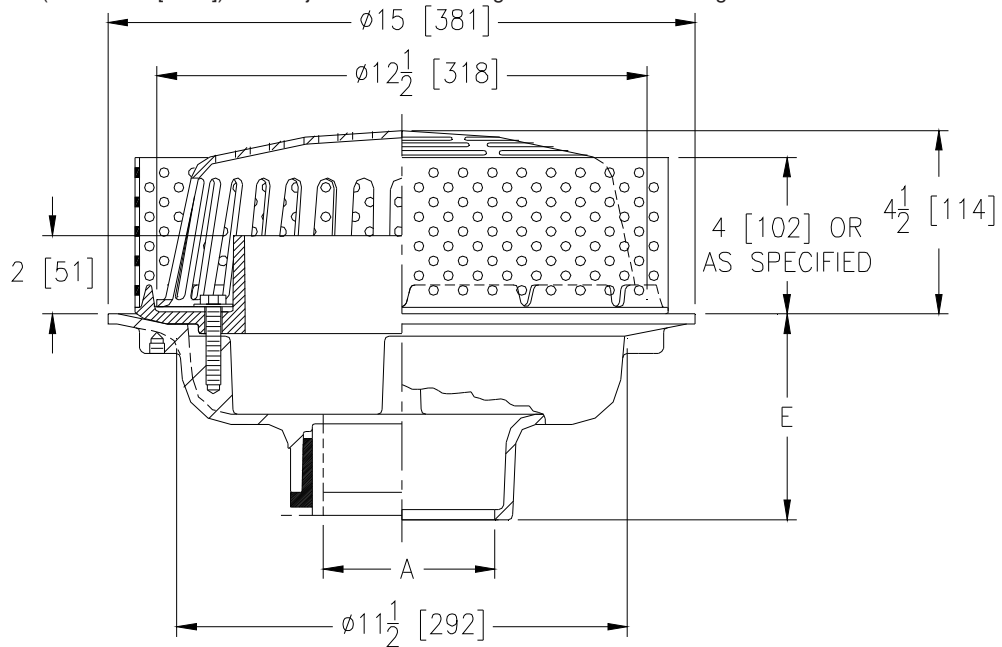
# Z100-84-W2

15 [381] DIAMETER MAIN ROOF DRAIN W/ PERFORATED GRAVEL GUARD AND 2 [51] INTERNAL WATER DAM

SPECIFICATION SHEET

TAG \_\_\_\_\_

Dimensional Data (inches and [ mm ]) are Subject to Manufacturing Tolerances and Change Without Notice



A Pipe Size in [mm]	Approx Wt. lbs [kg]	Dome Open Area in <sup>2</sup> [cm <sup>2</sup> ]
2,3,4 [51,76,102]	28 [13]	103 [665]
6 [152]	29 [13]	
8 [203]	30 [14]	

### ENGINEERING SPECIFICATION: ZURN Z100-84-W2

15" [381mm] Diameter roof drain. Dura-Coated cast iron body with combination membrane flashing clamp/perforated gravel guard, and low silhouette Poly-Dome strainer, and 2" [51mm] internal water dam.

### OPTIONS (Check/specify appropriate options)

#### PIPE SIZE

- 3,4,6 [76,102,152]
- 2,3,4,6,8 [51,76,102,152,203]
- 2,3,4,6,8 [51,76,102,152,203]
- 2,3,4 [51,76,102]
- 6 [152]

#### (Specify size/type) OUTLET

- \_\_\_\_\_ IC Inside Caulk
- \_\_\_\_\_ IP Threaded
- \_\_\_\_\_ NH No-Hub
- \_\_\_\_\_ NL Neo-Loc
- \_\_\_\_\_ NL Neo-Loc

#### E BODY HT. DIM.

- 5-1/4 [133]
- 3-3/4 [95]
- 5-1/4 [133]
- 4-5/8 [117]
- 5-7/16 [138]

#### PREFIXES

- \_\_\_\_\_ Z D.C.C.I. Body with Poly-Dome\*
- \_\_\_\_\_ ZA D.C.C.I. Body with Aluminum Dome
- \_\_\_\_\_ ZC D.C.C.I. Body with Cast Iron Dome
- \_\_\_\_\_ ZRB D.C.C.I. Body with Plain Bronze Dome

#### SUFFIXES

- |   |  |
|---|--|
| _____ -AC Angular Underdeck Clamp                                     | _____ -EB Top-Set Adjustable Extension Assembly  |
| _____ -AR Acid Resistant Epoxy Coated                                 | _____ -G Galvanized Cast Iron  |
| _____ -C Underdeck Clamp  | _____ -HD 6-3/4 [171] High Aluminum Dome<br>(148 sq. in. [955 cm <sup>2</sup> ] open area) |
| _____ -DE Deck Extension (Includes Deck Plate -DP)                    | _____ -R Roof Sump Receiver  |
| _____ -DP Top-Set® Roof Deck Plate<br>(Replaces both -C and -R)       | _____ -SC Secondary Clamping Collar  |
| _____ -DR Top-Set Adjustable Drain Riser Extension Assembly           | _____ -SS Stainless Mesh Screen Over Dome  |
| _____ -E Static Extension 1 [25] thru 4 [102] (Specify Ht.)           | _____ -ST Dome w/ Solid Top (ZA and ZC Only)   |
| _____ -EA Adjustable Extension Assembly<br>2-1/8 [54] thru 3-1/2 [89] | _____ -TC Neo-Loc Test Cap Gasket<br>(2,3,4 [51,76,102] NL Bottom Outlet Only)             |
|   | _____ -VP Vandal Proof Secured Top   |
|   | _____ -90 90° Threaded Side Outlet Body  |

\* Regularly furnished unless otherwise specified.