



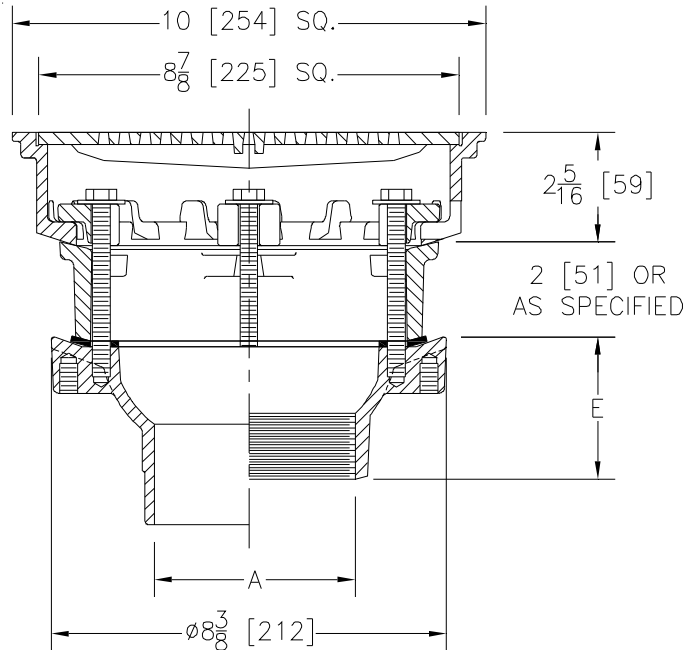
# Z158-E

10 [254] SQUARE TOP PROM-DECK DRAIN W/ STATIC EXTENSION, HEEL-PROOF GRATE AND ROTATABLE FRAME

SPECIFICATION SHEET

TAG \_\_\_\_\_

Dimensional Data (inches and [ mm ]) are Subject to Manufacturing Tolerances and Change Without Notice



A Pipe Size In [mm]	Approx. Wt. Lbs. [kg]	Grate Open Area Sq. In. [cm <sup>2</sup> ]
2,3,4 [51,76,102]	24 [11]	21 [136]

**ENGINEERING SPECIFICATION: ZURN Z158-E**

10" [254mm] Square top Prom-Deck drain, Dura-Coated cast iron body with rotatable square promenade frame with seepage openings, frame clamps, 2" [51 mm] high static extension, gasket, and light-duty heel-proof grate.

**OPTIONS** (Check/specify appropriate options)

**PIPE SIZE**

- 3,4 [76,102]
- 2 [51]
- 3 [76]
- 4 [102]
- 2,3,4 [51,76,102]
- 2,3,4 [51,76,102]

(Specify size/type) **OUTLET**

- \_\_\_ IC Inside Caulk
- \_\_\_ IP Threaded
- \_\_\_ IP Threaded
- \_\_\_ IP Threaded
- \_\_\_ NH No-Hub
- \_\_\_ NL Neo-Loc

**'E' BODY HT. DIM.**

- 3-7/8 [98]
- 2-7/16 [62]
- 2-3/4 [70]
- 3 [76]
- 3-31/32 [101]
- 3-13/16 [97]

**PREFIXES**

- \_\_\_ Z D.C.C.I. Body with Top\*
- \_\_\_ ZB D.C.C.I. Body with Polished Bronze Top (Add 3/16 [5] to 2-5/16 [59] Dim. & 5/8 [16] to 10 [254] Dim.)
- \_\_\_ ZN D.C.C.I. Body with Polished Nickel Bronze Top (Add 3/16 [5] to 2-5/16 [59] Dim. & 5/8 [16] to 10 [254] Dim.)

**SUFFIXES**

- \_\_\_ -AR Acid Resistant Epoxy Coated
- \_\_\_ -C Underdeck Clamp
- \_\_\_ -DG Duresist Grate (Z Only)
- \_\_\_ -DP Top-Set® Roof Deck Plate
- \_\_\_ -DT Decorative Polished Top (ZB and ZN Only)
- \_\_\_ -EB Top-Set® Adjustable Extension Assembly
- \_\_\_ -G Galvanized Cast Iron
- \_\_\_ -SC Secondary Clamping Collar
- \_\_\_ -TC Neo-Loc Test Cap Gasket (2,3,4 [51,76,102] NL Bottom Outlet only)
- \_\_\_ -TS Top Secured with Slotted Screws
- \_\_\_ -VP Vandal-Proof Secured Top
- \_\_\_ -Y Sediment Bucket
- \_\_\_ -85 Stainless Steel Perforated Extension
- \_\_\_ -90 90° Threaded Side Outlet Body (2,3,4 [51,76,102])

\* Regularly furnished unless otherwise specified.