



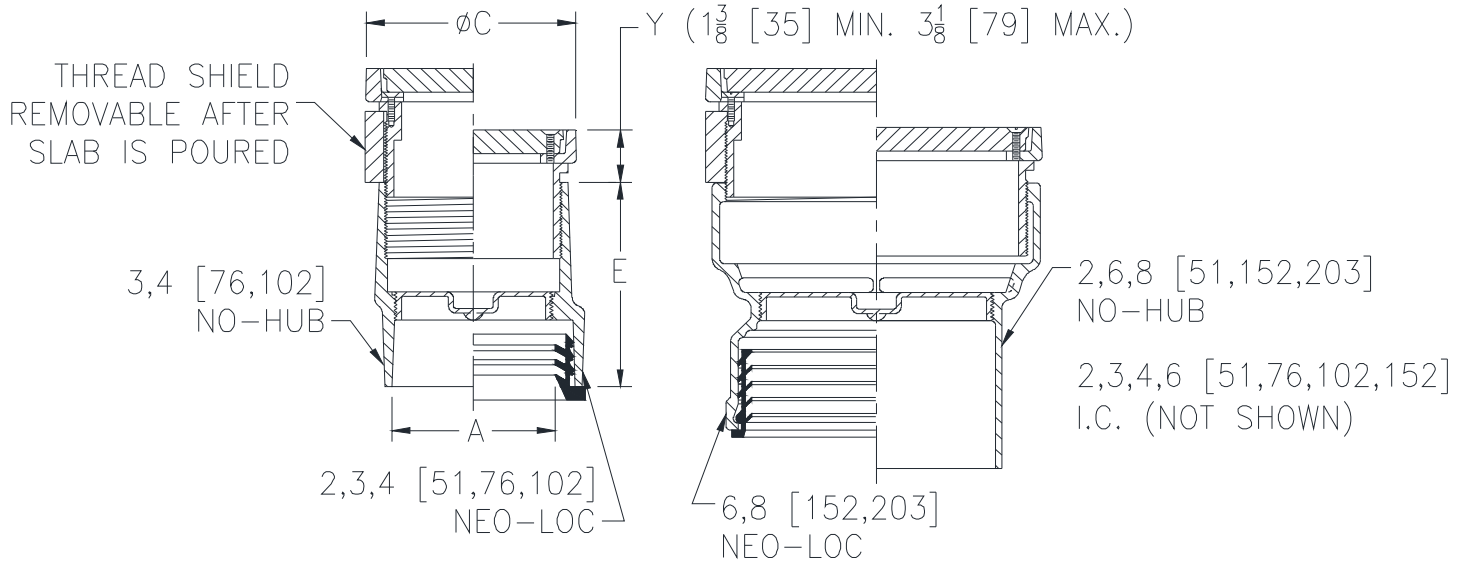
Z1400-DC

"LEVEL-TROL" ADJUSTABLE FLOOR CLEANOUT WITH DURESIST COVER

SPECIFICATION SHEET

TAG _____

Dimensional Data (inches and [mm]) are Subject to Manufacturing Tolerances and Change Without Notice



ENGINEERING SPECIFICATION: ZURNZ1400-DC

"Level-Trol" Adjustable floor cleanout, Dura-Coated cast iron body, with gas and watertight ABS tapered thread plug, and round scoriated secured Duresist top adjustable to finished floor.

A-Pipe Size	Dimension In Inches[mm]		Approx. Wt. Lbs.[kg.]
	C	E	
Inside Caulk			
2 [51]	6-1/8 [156]	6-7/8 [175]	13.8 [6.3]
3 [76]	6-1/8 [156]	6-7/8 [175]	14 [6.4]
4 [102]	7-1/4 [184]	6-7/8 [175]	18.3 [8.3]
6 [152]	9-1/4 [235]	6-7/8 [175]	32.2 [14.6]
No-Hub			
2 [51]	4-1/8 [105]	4-5/8 [117]	7 [3]
3 [76]	4-1/8 [105]	4-3/4 [121]	7.7 [3.5]
4 [102]	5-1/8 [130]	4-3/4 [121]	10.3 [4.7]
6 [152]	8-1/4 [210]	4-3/4 [121]	22.2 [10.1]
8 [203]	9-1/4 [235]	7-1/2 [191]	29.9 [13.6]
Neo-Loc			
2 [51]	4-1/8 [105]	4-3/4 [121]	7.9 [3.6]
3 [76]	5-1/8 [130]	4-3/4 [121]	10.6 [4.8]
4 [102]	5-1/8 [130]	4-3/4 [121]	11.9 [5.4]
6 [152]	8-1/4 [210]	5-7/8 [149]	21.9 [9.9]
8 [203]	9-1/4 [235]	6-1/2 [165]	23.5 [10.7]

OPTIONS (Check/specify appropriate options)

PREFIXES

- ___ Z D.C.C.I. w/ Duresist Top*
- ___ ZB D.C.C.I. w/ Polished Bronze Top (-HD must also be specified)
- ___ ZN D.C.C.I. w/ Polished Nickel Bronze Top (-HD must also be specified)

SUFFIXES

- ___ -AR Acid Resisting Epoxy Coated Finish
- ___ -BP Bronze Plug
- ___ -CF Carpet Flange Cover (ZB and ZN only)
- ___ -CM Carpet Marker
- ___ -G Galvanized Cast Iron
- ___ -HD Extra Heavy-Duty Veneer Top
- ___ -K Anchor Flange
- ___ -KC Anchor Flange with Clamping Collar
- ___ -PC Protective Cover
- ___ -SG Solid Gasketed Cover
- ___ -SM Special Marking Stamped on Top
- ___ -T Square Top
- ___ -VP Vandal-Proof Screws

PIPE SIZE

2,3,4,6 [51,76,102,152]
 2,3,4,6,8 [51,76,102,152,203]
 2,3,4,6,8 [51,76,102,152,203]

(Specify size/type) OUTLET

___ IC Inside Caulk
 ___ NH No-Hub
 ___ NL Neo-Loc

'E' BODY HT. DIM.

See Chart
 See Chart
 See Chart

* Regularly furnished unless otherwise specified.