



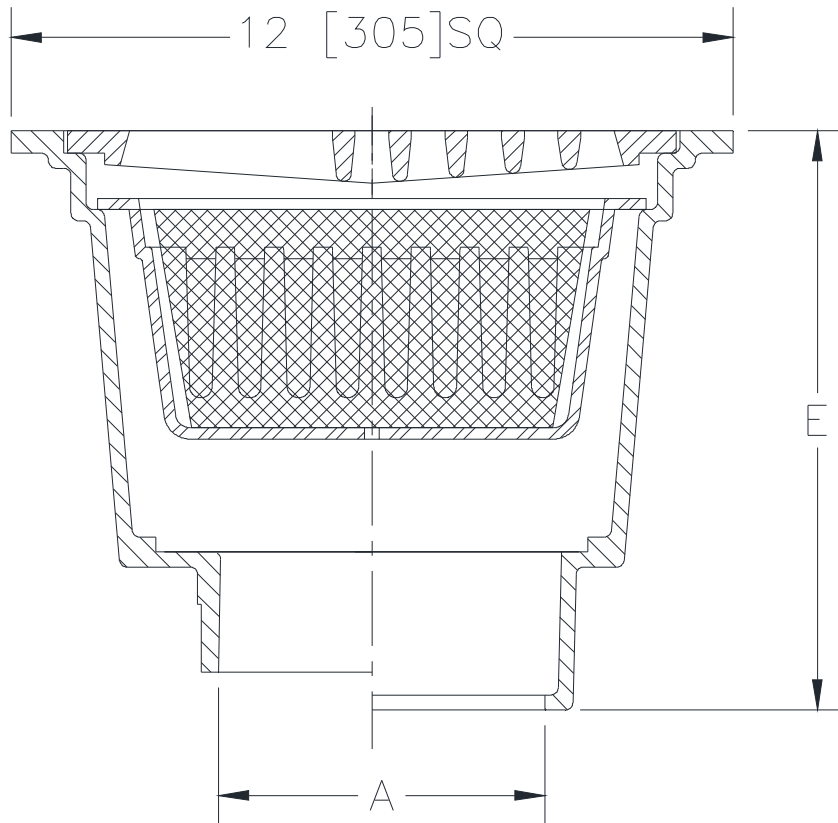
Z566-95

12 [305] SQUARE OPEN TOP DRAIN W/ HALF GRATE, SEDIMENT BUCKET AND MESH LINER

SPECIFICATION SHEET

TAG _____

Dimensional Data (inches and [mm]) are Subject to Manufacturing Tolerances and Change Without Notice



A Pipe Size In. [mm]	Approx. Wt. Lbs. [kg]
2,3,4 [51,76,102]	48 [22]

ENGINEERING SPECIFICATION: ZURN Z566-95

12" [305mm] Square top drain, Dura-Coated cast iron body with bottom outlet, top half-grate and loose set cast iron sediment bucket with mesh liner.

OPTIONS (Check/specify appropriate options)

PIPE SIZE

- 2, 3, 4 [51, 76, 102]
- 2, 3, 4 [51, 76, 102]
- 3, 4 [76, 102]
- 2, 3, 4 [51, 76, 102]

(Specify size/type) OUTLET

- ___ IC Inside Caulk
- ___ IG Inside Caulk w/Sealtrol Gskt.
- ___ IP Threaded
- ___ NL Neo-Loc

'E' BODY HT. DIM.

- 9-5/8 [244]
- 9-5/8 [244]
- 7-5/8 [194]
- 9 [229]

PREFIXES

- ___ Z D.C.C.I. Body and Grate*
- ___ ZB D.C.C.I. Body with Polished Bronze Grate (Add 3/16 [5] to 'E' Dim.)
- ___ ZN D.C.C.I. Body with Polished Nickel Bronze Grate (Add 3/16 [5] to 'E' Dim.)

SUFFIXES

- ___ -AR Acid Resisting Epoxy Coated Finish
- ___ -G Galvanized Cast Iron

* Regularly furnished unless otherwise specified.