



Z100-323

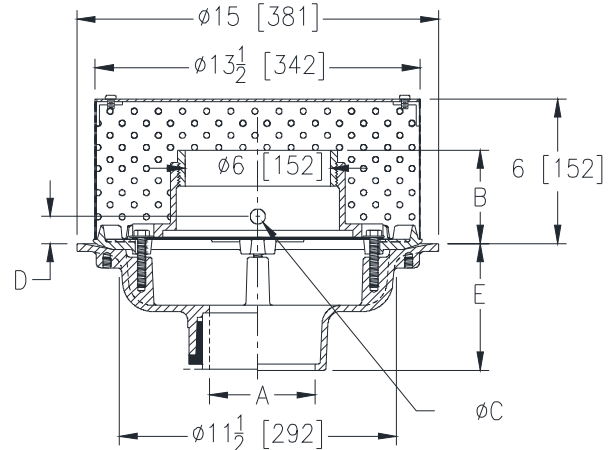
15 [381] DIAMETER MAIN ROOF DRAIN W/ FLOW CONTROLLING WATER DAM AND STAINLESS STEEL PERFORATED GRAVEL GUARD

SPECIFICATION SHEET

TAG _____

Dimensional Data (inches and [mm]) are Subject to Manufacturing Tolerances and Change Without Notice

Roof Section	Flow GPM [LPM]	Dimensions in Inches [mm]		
		B	C	D
50 Binney M1	6.88 [26.0]	4.10 [104.1]	1.000 [25.4]	1.313 [33.4]
50 Binney M2	3.67 [13.9]	5.20 [132.1]	0.688 [17.5]	1.146 [29.1]
60 Binney M1	1.78 [6.7]	4.40 [111.8]	0.500 [12.7]	1.063 [27.0]
60 Binney M2 Low	12.45 [47.1]	4.70 [119.4]	1.300 [33.0]	3.413 [86.7]
60 Binney M2 High	12.71 [48.1]	4.90 [124.5]	1.300 [33.0]	3.413 [86.7]



A Pipe Size In. [mm]	Approx. Wt. Lbs. [kg]
2,3,4 [51,76,102]	36 [16]
5,6 [127,152]	37 [17]
8 [203]	38 [18]

ENGINEERING SPECIFICATION: ZURN Z100-323

15" [381mm] Diameter roof drain. Dura-Coated cast iron body with combination membrane flashing clamp/gravel guard, gasketed flow control water dam with orifice, 6" [152mm] diameter standpipe and stainless steel perforated gravel guard with solid secured top.

OPTIONS (Check/specify appropriate options)

PIPE SIZE

2,3,4,5,6,8 [51,76,102,127,152,203]
 2,3,4,5,6,8 [51,76,102,127,152,203]
 2,3,4,5,6,8 [51,76,102,127,152,203]
 2,3,4 [51,76,102]
 6 [152]

(Specify size/type) OUTLET

_____ IC Inside Caulk
 _____ IP Threaded
 _____ NH No-Hub
 _____ NL Neo-Loc
 _____ NL Neo-Loc

E BODY HT. DIM.

5-1/4 [133]
 3-3/4 [95]
 5-1/4 [133]
 4-9/16 [116]
 5-7/16 [112]

PREFIXES

_____ Z D.C.C.I. Body

SUFFIXES

_____ -AC Angular Underdeck Clamp
 _____ -AR Acid Resistant Epoxy Coated
 _____ -C Underdeck Clamp
 _____ -DE Deck Extension
 _____ -DP Top-Set® Deck Plate (Replaces both the -C and -R)
 _____ -DR Top-Set® Drain Riser
 _____ -DX Dex-o-tex Flange
 _____ -E Static Extension 1 [25] thru 4 [102] (Specify Ht.)
 _____ -EA Adjustable Extension Assembly (2-1/8 [54] thru 3-1/2 [89])

_____ -EB Top-Set® Adjustable Extension Assembly
 _____ -G Galvanized Cast Iron
 _____ -R Roof Sump Receiver
 _____ -SC Secondary Clamp Collar
 _____ -TC Neo-Loc Test cap gasket (2,3,4 [51,76,102]) NL Bottom Outlet Only
 _____ -VP Vandal-Proof Secured Top
 _____ -90 90° Threaded Side Outlet Body (2,3,4,5,6 [51,76,101,126,151])

* Regularly furnished unless otherwise specified.

Zurn Industries, LLC | Specification Drainage Operation
 1801 Pittsburgh Avenue, Erie, PA U.S.A. 16502 · Ph. 855-663-9876, Fax 814-454-7929
 In Canada | Zurn Industries Limited
 3544 Nashua Drive, Mississauga, Ontario L4V 1L2 · Ph. 905-405-8272, Fax 905-405-1292
www.zurn.com

Rev. -
 Date: 08/31/16
 C.N. No. 135057
 Prod. | Dwg. No. Z100-323