



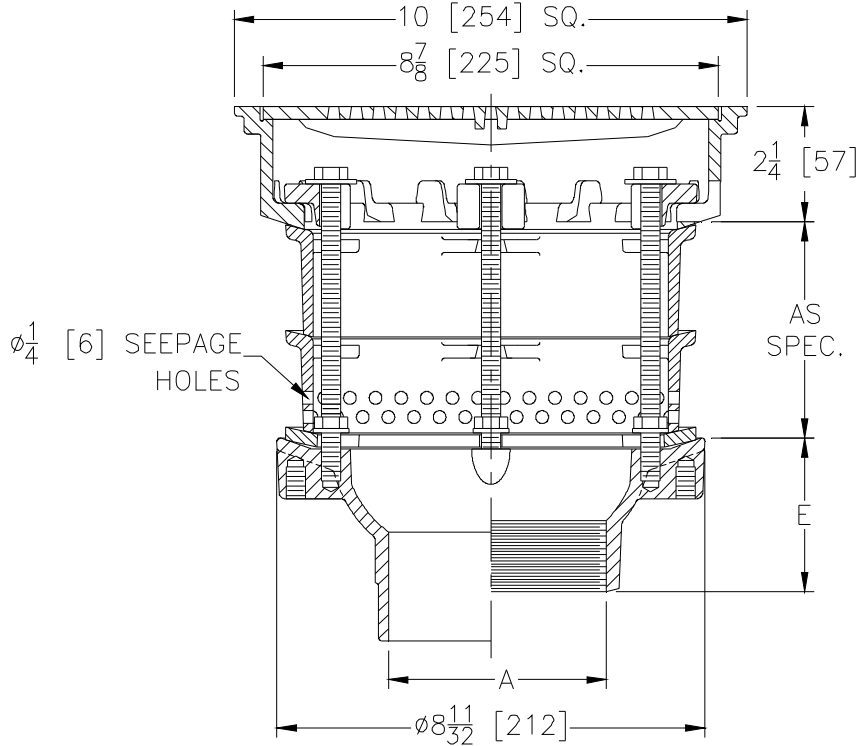
Z158-101

SPECIFICATION SHEET

10 [254] SQUARE TOP PROM-DECK DRAIN W/HEEL-PROOF GRATE, ROTATABLE FRAME, STATIC EXTENSIONS, & SECONDARY CLAMPING COLLAR

TAG _____

Dimensional Data (inches and [mm]) are Subject to Manufacturing Tolerances and Changes Without Notice



A Pipe Size In.	Approx. Wt. Lbs. [kg]	Grate Open Area Sq. In. [cm ²]
2-3-4[51-76-102]	20 [9]	21 [136]

ENGINEERING SPECIFICATION: ZURN Z158-101

10 [254] Square Top Prom-Deck drain, Dura-Coated cast iron body with rotatable square promenade frame with seepage openings, frame clamps, static extensions with flat clamp collar at body, and light duty heel-proof grate.

OPTIONS (Check/specify appropriate options)

PIPE SIZE

4 [102]
3 [76]
2 [51]
2-3-4[51-76-102]

(Specify size/type) OUTLET

___ IP Threaded
___ IP Threaded
___ IP Threaded
___ NH No-Hub

'E' BODY HT. DIM.

3 [76]
2 3/4 [70]
2 7/16 [62]
4 [102]

PREFIXES

___ Z D.C.C.I. Body with Top*
___ ZB D.C.C.I. Body with Polished Bronze Top (Add 3/16 [5] to 2 1/4 [57] Dim & 5/8 [16] to 10 [254] Dim.)
___ ZN D.C.C.I. Body with Polished Nickel Bronze Top (Add 3/16 [5] to 2 1/4 [57] Dim & 5/8 [16] to 10 [254] Dim.)

SUFFIXES

___ -AR Acid Resistant Epoxy Coated
___ -C Underdeck Clamp
___ -DG Duresist Grate (Z Only)
___ -DP Top-Set® Roof Deck Plate (Replaces Both the -C and -R)
___ -DT Decorative Polished Top (ZB and ZN only)
___ -EB Top-Set® Adjustable Extension Assembly
___ -G Galvanized Cast Iron
___ -R Roof Sump Receiver
___ -TS Top Secured with Slotted Screws
___ -VP Vandal-Proof Secured Top
___ -XJ Vertical Expansion Joint (See Z190)
___ -Y Sediment Bucket
___ -90 90° Threaded Side Outlet Body (2 [51] thru 4 [102])

*REGULARLY FURNISHED UNLESS OTHERWISE SPECIFIED

REV. DATE: 1/12/10 C.N. NO. 110587

DWG. NO. P-15830 PRODUCT NO. Z158-101

ZURN INDUSTRIES, LLC ♦ SPECIFICATION DRAINAGE OPERATION ♦ 1801 Pittsburgh Ave. ♦ Erie, PA 16514

Phone: 814/455-0921 ♦ Fax: 814/454-7929 ♦ World Wide Web: www.zurn.com

In Canada: ZURN INDUSTRIES LIMITED ♦ 3544 Nashua Drive ♦ Mississauga, Ontario L4V1L2 ♦ Phone: 905/405-8272 Fax: 905/405-1292