

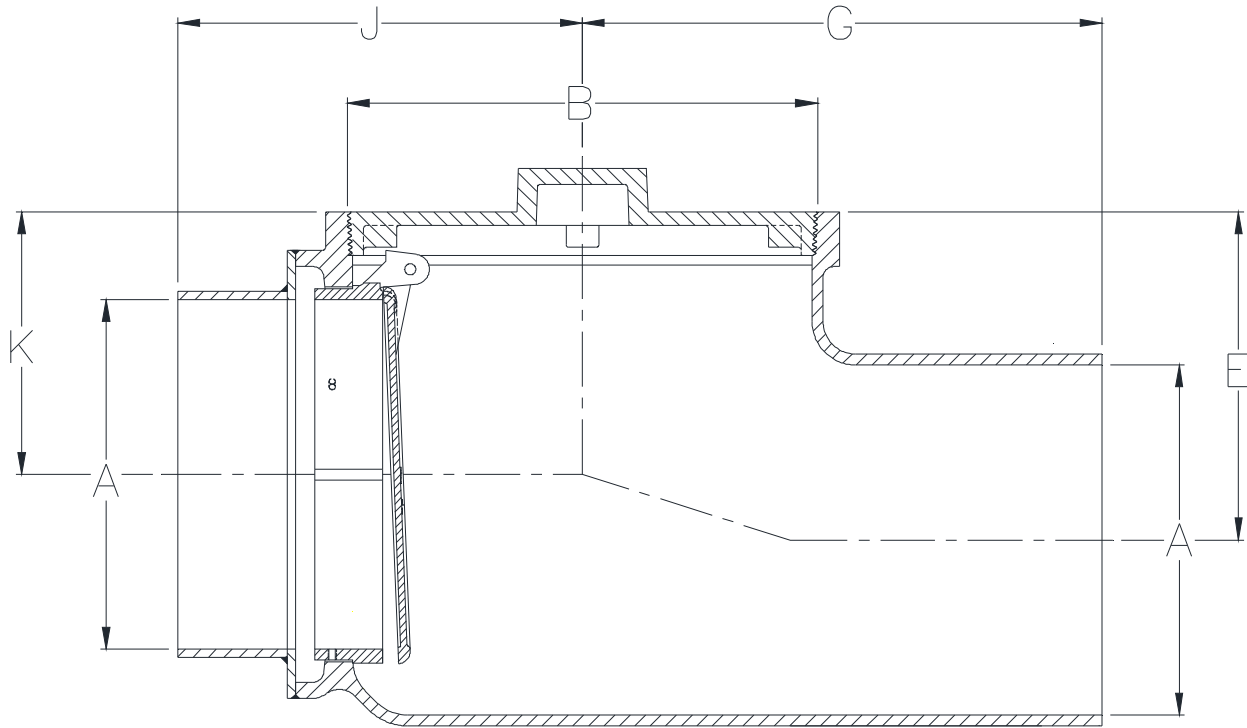
**Z1090-82**

NO-HUB BACKWATER VALVE, FLAPPER TYPE

SPECIFICATION SHEET

TAG _____

Dimensional Data (inches and [mm]) are Subject to Manufacturing Tolerances and Change Without Notice



Dimensions In Inches					Approx. Wt. Lbs. [kg]	
Pipe Size		E	G	J		K
A	B					
8 [203]	10 [254]	7-1/2 [190]	11-7/8 [302]	9-3/8 [238]	6 [152]	79 [36]
10 [254]	12 [305]		12-3/4 [324]	10-7/8 [276]	7 [178]	102 [46]

ENGINEERING SPECIFICATION:
ZURNZ1090-82
 Backwater Valve, Dura-Coated cast iron body, fabricated no-hub inlet and offset outlet, bronze threaded cover, automatic bronze flapper type backwater valve.

CONNECTIONS (Check/specify appropriate options)**PIPE SIZE** (Specify size) **CONNECTION**

8-10[203-254] _____ NH No-Hub

PREFIXES

_____ Z D.C.C.I. Body*

SUFFIXES
 _____ -BC Bolted Cover
 _____ -G Galvanized Cast Iron

* Regularly furnished unless otherwise specified.

Zurn Industries, LLC | Specification Drainage Operation
 1801 Pittsburgh Avenue, Erie, PA U.S.A. 16502 · Ph. 855-663-9876, Fax 814-454-7929
 In Canada | **Zurn Industries Limited**
 3544 Nashua Drive, Mississauga, Ontario L4V 1L2 · Ph. 905-405-8272, Fax 905-405-1292
www.zurn.com

Rev. -
 Date: 07/17/14
 C.N. No. 131238
 Prod. | Dwg. No. Z1090-82