



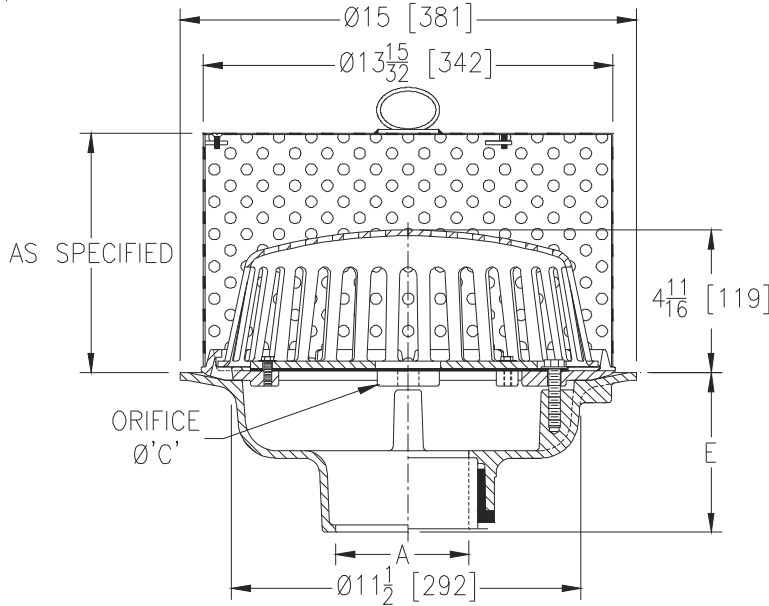
Z100-334

15[381] DIAMETER MAIN ROOF DRAIN WITH LOW SILHOUETTE DOME, GASKETED STAINLESS STEEL FLOW RESTRICTING PLATE, PERFORATED GRAVEL GUARD AND LIFT RING

SPECIFICATION SHEET

TAG _____

Dimensional Data (inches and [mm]) are Subject to Manufacturing Tolerances and Change Without Notice



Flow Rate (GPM)	Head Depth (in)	Orifice Dia. 'C' (in)

NOTE: Please contact Zurn Applicatons Engineering to verify Orifice Diameters

A Pipe Size in [mm]	Approx wt. lbs [kg]	Dome Open Area in ² [cm ²]
2,3,4 [51,76,102]	26 [12]	103 [665]
5,6, [127,152]	27 [12]	
8 [203]	28 [13]	

ENGINEERING SPECIFICATION: ZURN Z100-334

15" [381mm] Diameter roof drain. Dura-Coated cast iron body with combination membrane flashing clamp/gravel guard, covered perforated stainless steel gravel guard with lift ring, gasketed Stainless Steel flow restricting plate and low silhouette Poly-Dome.

OPTIONS (Check/specify appropriate options)

PIPE SIZE

- 2,3,4,6,8 [51,76,102,152,203]
- 2,3,4,6,8 [51,76,102,52,203]
- 2,3,4,6,8 [51,76,102,152,203]
- 2,3,4 [51,76,102]

(Specify size/type) **OUTLET**

- _____ IC Inside Caulk
- _____ IP Threaded
- _____ NH No-Hub
- _____ NL Neo-Loc

E BODY HT. DIM.

- 5-1/4 [133]
- 3-3/4 [95]
- 5-1/4 [133]
- 4-5/8 [117]

PREFIXES

- _____ Z D.C.C.I. Body with Poly-Dome*
- _____ ZA D.C.C.I. Body with 6-3/4 [171] High Aluminum Dome
- _____ ZC D.C.C.I. Body with Cast Iron Dome
- _____ ZRB D.C.C.I. Body with Plain Bronze Dome

SUFFIXES

- | | |
|--|--|
| _____ -AC Angular Underdeck Clamp | _____ -G Galvanized Cast Iron |
| _____ -AR Acid Resistant Epoxy Coated | _____ -GD Galvanized Cast Iron Dome (ZC Only) |
| _____ -C Underdeck Clamp | _____ -HD 6-3/4 [171] High Aluminum Dome Strainer (148 Sq. In. [955 cm ²] Open Area) |
| _____ -DP Top-Set® Deck Plate (Replaces both the -C and -R) | _____ -R Roof Sump Receiver |
| _____ -DR Top-Set® Drain Riser | _____ -SC Secondary Clamping Collar |
| _____ -DX Dex-o-tex Flange | _____ -TC Neo-Loc Test Cap Gasket (2,3,4 [51,76,102] NL Bottom Outlet Only) |
| _____ -E Static Extension 1 [25] thru 4 [102] (Specify Ht.) | _____ -VP Vandal-Proof Secured Top |
| _____ -EA Adjustable Extension Assembly 1-3/4 [44] thru 3-1/2 [89] | _____ -XJ Vertical Expansion Joint (See Z190) |
| _____ -EB Top-Set® Adjustable Extension Assembly | _____ -90 90° Threaded Side Outlet Body (2,3,4,6 [51,76,102,152]) |
| _____ -ES Static Extension with Secondary Clamp at Body (for clamping waterproofing membrane at roof drain body) | |

* Regularly furnished unless otherwise specified.