

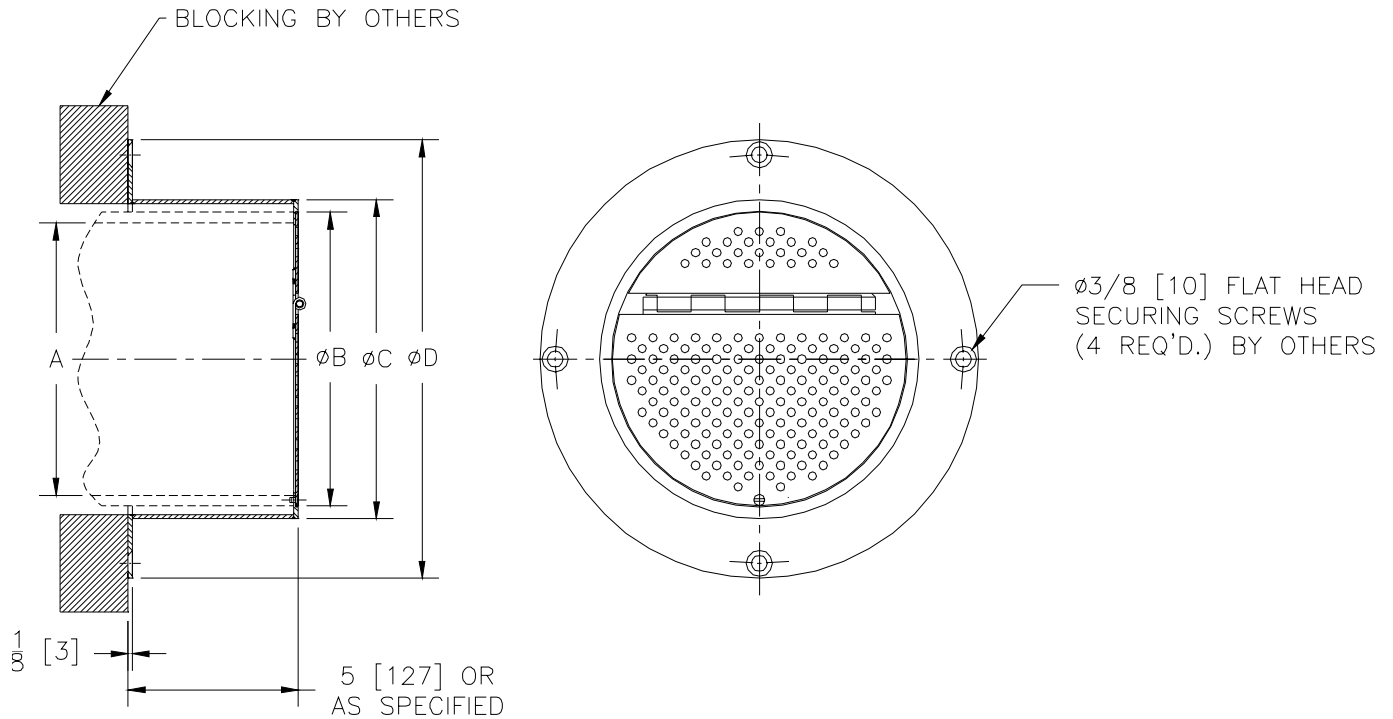


# Z199-DC-5 DOWNSPOUT COVER

SPECIFICATION SHEET

TAG \_\_\_\_\_

Dimensional Data (inches and [ mm ]) are Subject to Manufacturing Tolerances and Change Without Notice



Dimensions In Inches [mm]			
A-Pipe Size	B	C	D
3[75]	3 1/2[89]	4 1/4[108]	7 3/4[197]
4[100]	4 1/2[114]	5 1/4[133]	8 3/4[222]
6[150]	6 5/8[168]	7 3/8[187]	10 7/8[276]
8[200]	8 5/8[219]	9 3/8[238]	12 7/8[327]
10[250]	10 3/4[273]	11 1/2[292]	15[381]
12[300]	12 3/4[324]	13 1/2[343]	17[432]
15[375]	15[381]	16 5/8[422]	20 1/8[511]

**ENGINEERING SPECIFICATION:** ZURN ZS199-DC-5 Downspout Cover, round fabricated stainless steel frame with fabricated secured perforated stainless steel hinged strainer.

**OPTIONS** (Check/specify appropriate options)

**PREFIXES**

\_\_\_ ZS Type 304 Stainless Steel\*

**SUFFIXES**

\_\_\_ -CP Chrome Plated  
 \_\_\_ -VP Vandal Proof Secured Top

\*REGULARLY FURNISHED UNLESS OTHERWISE SPECIFIED

REV. B	DATE: 12/6/04	C.N. NO. 92767
DWG. NO. 67383	PRODUCT NO. Z199-DC-5	