



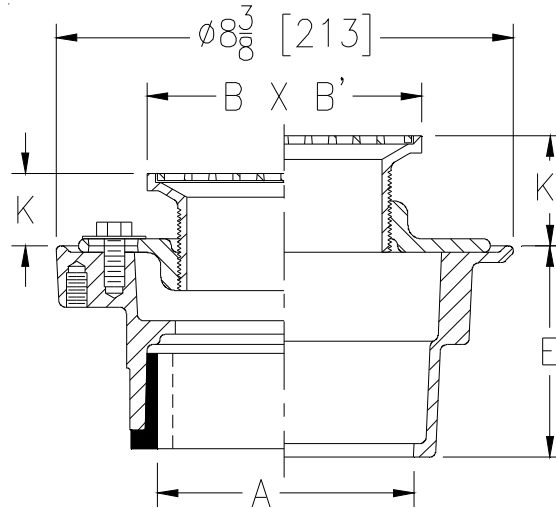
# Z415S-95

## BODY ASSEMBLY W/ CBC "TYPE S" STRAINER

SPECIFICATION SHEET

TAG \_\_\_\_\_

Dimensional Data (inches and [ mm ]) are Subject to Manufacturing Tolerances and Change Without Notice



Dimensions In Inches						Approx. Wt. Lbs. [kg]	Strainer Open Area Sq. In. [cm <sup>2</sup> ]
A - Pipe Size	B x B' Strainer Top Size	K		K'			
		Min.	Max.	Min.	Max.		
2-3 [51-76]	5 x 5 [127 x 127]	1 [25]	1 19/32 [40]	1 1/4 [32]	2 3/8 [60]	12 [5]	7.25 [47]
2-3-4 [51-76-102]	6 x 6 [152 x 152]	1 [25]	1 27/32 [47]	1 13/32 [36]	2 19/32 [66]	13 [6]	10.1 [65]
2-3-4 [51-76-102]	7 x 7 [178 x 178]	1 [25]	1 7/8 [48]	1 3/8 [35]	2 5/8 [67]	14 [6]	17.6 [114]
3-4 [76-102]	8 x 8 [203 x 203]	1 3/32 [28]	1 7/8 [48]	1 3/4 [44]	2 5/8 [67]	15 [7]	22.1 [143]
6 [152]	9 x 9 [229 x 229]	1 3/32 [28]	1 7/8 [48]	1 3/4 [44]	2 5/8 [67]	19 [9]	22.1 [143]
6 [152]	10 x 10 [254 x 254]	1 3/32 [28]	1 7/8 [48]	1 3/4 [44]	2 5/8 [67]	21 [10]	22.1 [143]

**ENGINEERING SPECIFICATION: ZURN ZN415S-95**

Floor and shower drain, Dura-Coated cast iron body with bottom outlet, combination invertible membrane clamp and adjustable collar with seepage slots and CBC "TYPE S" polished stainless steel square heel-proof strainer with 1/4 [6] sq. openings.

**OPTIONS** (Check/specify appropriate options)

PIPE SIZE	(Specify size/type) OUTLET	'E' BODY HT. DIM.
2 thru 4 [51 thru 102]	_____ IC Inside Caulk	3 7/8 [98]
2 thru 4 [51 thru 102]	_____ IG Inside Gasket	3 7/8 [98]
2 [51]	_____ IP Threaded	2 3/8 [60]
3 [76]	_____ IP Threaded	2 5/8 [67]
4 [102]	_____ IP Threaded	2 7/8 [73]
6 [152]	_____ IP Threaded	2 3/4 [70]
2 thru 4 [51 thru 102]	_____ NH No-Hub	3 7/8 [98]
2 thru 4 [51 thru 102]	_____ NL Neo-Loc	3 3/4 [95]

**PREFIXES**

\_\_\_\_\_ ZN D.C.C.I. Body Assembly w/ Polished Nickel Bronze Top\*

**SUFFIXES**

_____ -AR Acid Resisting Epoxy Coated Cast Iron	_____ -U 1 - 3 [25 - 76] High Extension Adapter
_____ -DP Decorative Polished Top	_____ -VP Vandal-Proof Secured Top
_____ -G Galvanized Cast Iron	_____ -Y Sediment Bucket
_____ -P Trap Primer Connection (Specify 1/2 [13] or 3/4 [19])	_____ -18 Leveling Ring (See Z400-18)
_____ -PD Prom-Deck Top (8 x 8 [203 x 203] Only)	_____ -90 90° Threaded Side Outlet Body Assembly (2 [51], 3 [76] Only)
_____ -SA Z1035 Stabilizer Assembly (NH & NL Outlets only)	
_____ -SQ Z1035-Q Stabilizer Assembly (NH & NL Outlets only)	
_____ -SR Stabilizer Ring	
_____ -TC Neo-Loc Test Cap Gasket (2 [51] - 4 [102] NL Outlet Only)	

\*REGULARLY FURNISHED UNLESS OTHERWISE SPECIFIED

<b>REV. A</b>	<b>DATE: 09/07/10</b>	<b>C.N. NO. 111670</b>
<b>DWG. NO. P-15842</b>		<b>PRODUCT NO. Z415S-95</b>

ZURN INDUSTRIES, LLC ♦ SPECIFICATION DRAINAGE OPERATION ♦ 1801 Pittsburgh Ave. ♦ Erie, PA 16514

Phone: 814/455-0921 ♦ Fax: 814/454-7929 ♦ World Wide Web: www.zurn.com

In Canada: ZURN INDUSTRIES LIMITED ♦ 3544 Nashua Drive ♦ Mississauga, Ontario L4V1L2 ♦ Phone: 905/405-8272 Fax: 905/405-1292