



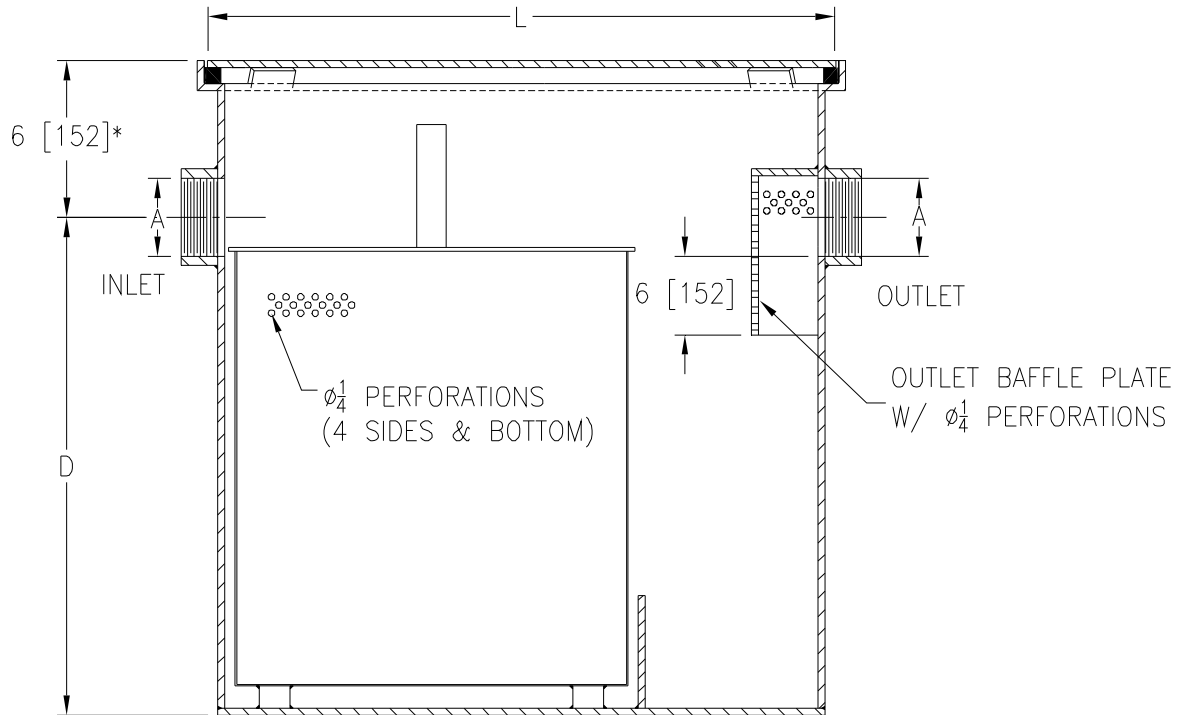
Z1187-SI-80

SEDIMENT INTERCEPTOR W/ SOLID COVER AND SEDIMENT BASKET

SPECIFICATION SHEET

TAG _____

Dimensional Data (inches and [mm]) are Subject to Manufacturing Tolerances and Change Without Notice



Size	Flow G.P.M. [L] (Max.)	A Pipe Size	L	D	Capacity Gal. [L] (Static)	Width
20	20 [76]	3 [76]	24 [610]	26 [660]	50 [189]	24 [610]

ENGINEERING SPECIFICATION: ZURN Z1187-SI-80 Acid Resistant Coated interior and exterior fabricated steel sediment interceptor with threaded inlet and outlet, complete with removable perforated sediment basket and secured, gasketed, non-skid cover.

OPTIONS (Check/specify appropriate options)

PREFIXES

___ Z Acid Resistant Coated Fabricated Steel*

SUFFIXES

- ___ -E 6 [152] Integral Extension Assembly for Recessed Installation
- ___ -DG Duresist Grate
- ___ -NH No-Hub Inlet and Outlet
- ___ -VP Vandal-Proof Screws

*REGULARLY FURNISHED UNLESS OTHERWISE SPECIFIED

REV.	DATE: 6/2/06	C.N. NO. 95165
DWG. NO. P-15284 PRODUCT NO. Z1187-SI-80		

ZURN INDUSTRIES, INC. ♦ SPECIFICATION DRAINAGE OPERATION ♦ 1801 Pittsburgh Ave. ♦ Erie, PA 16514

Phone: 814/455-0921 ♦ Fax: 814/454-7929 ♦ World Wide Web: www.zurn.com

In Canada: ZURN INDUSTRIES LIMITED ♦ 3544 Nashua Drive ♦ Mississauga, Ontario L4V1L2 ♦ Phone: 905/405-8272 Fax: 905/405-1292