



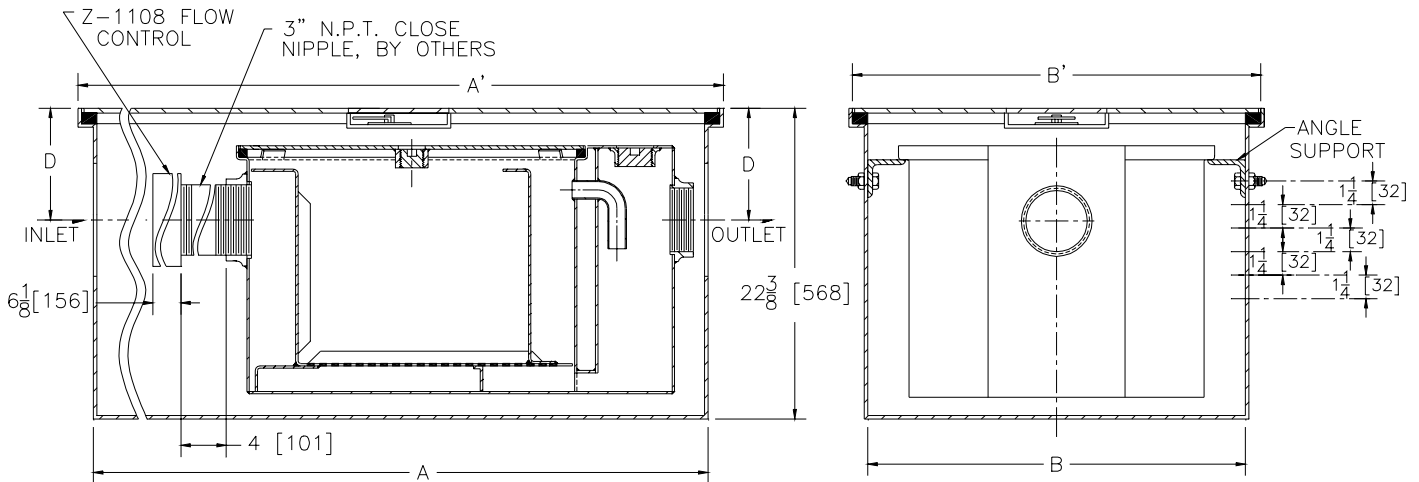
# Z-1170-102

## ADJUSTABLE RECESSING RECEIVER FOR GREASEPTOR WITH FLOW CONTROL FITTING

SPECIFICATION SHEET

TAG \_\_\_\_\_

Dimensional Data (inches and [ mm ]) are Subject to Manufacturing Tolerances and Change Without Notice



Size	Dimensions in Inches				
	A	A'	B	B'	D
400	41 3/4 [1060]	43 3/4 [1111]	20 [508]	22 [559]	6 [152]

**ENGINEERING SPECIFICATION:** ZURN Z-1170-102 Acid Resistant Epoxy Coated Recessing receiver equipped with adjustable support brackets and gasketed non-skid cover with recessed and covered lift handle. Complete with Z-1170 Greaseptor and Z-1108 flow control fitting. For greaseptor specifications see Z-1170 drawing.

**PREFIXES**

\_\_\_ Z- Acid Resistant Coated Fabricated Steel\*

**SUFFIXES**

- \_\_\_ -K Anchor flange 1 3/4 [44] down from top and 2 [51] wide. A 3 [76] minimum extension height is required when anchor flange (-K) option is specified.
- \_\_\_ -KC Anchor flange 1 3/4 [44] down from top and 2 [51] wide with clamp collar. A 3 [76] minimum extension height is required when anchor flange (-K) option is specified.
- \_\_\_ -T Cover recessed for tile/terrazzo. (Specify required recess depth - 1/8 [3], 3/4 [19], or 1-1/4 [32]).

REV.	DATE: 1/24/02	C.N. NO. 88283
DWG. NO. P-14866 PRODUCT NO. Z-1170-102		

\*REGULARLY FURNISHED UNLESS OTHERWISE SPECIFIED