

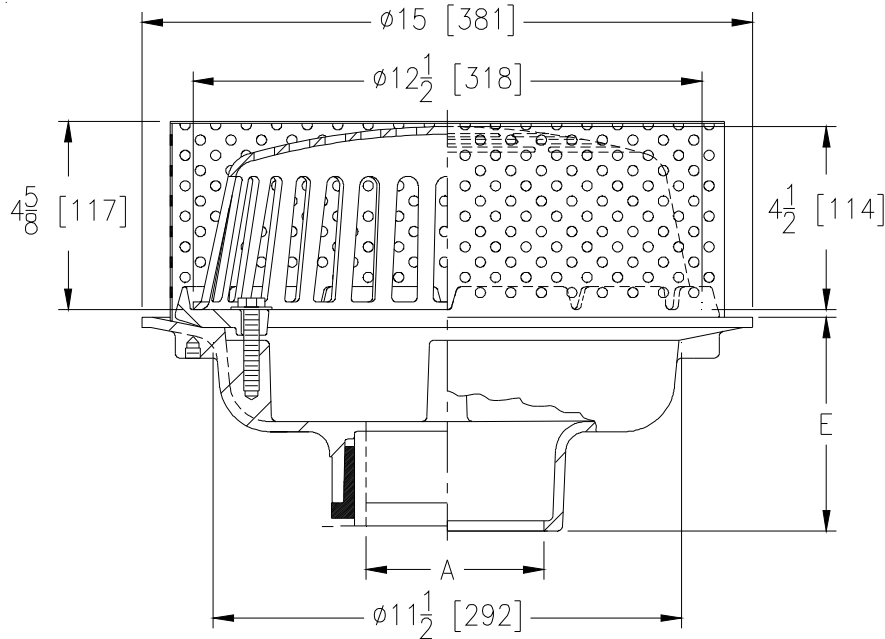


Z100-285

Ø15 [381] MAIN ROOF DRAIN W/ 4-5/8 [117] TALL STAINLESS STEELGRAVEL GUARD W/ WELDED PERFORATED TOP

TAG _____

Dimensional Data (inches and [mm]) are Subject to Manufacturing Tolerances and Change Without Notice



A- Pipe Size In.	Approx. Wt. Lbs. [kg]	Dome Open Area Sq. In. [cm ²]
2-3-4[51-76-102]	28 [13]	103 [665]
5-6[127-152]	29 [13]	
8 [203]	30 [14]	

ENGINEERING SPECIFICATION: ZURN Z100-285
 15 [381] Diameter roof drain. Dura-Coated cast iron body with combination membrane flashing clamp/gravel guard, perforated ring with welded perforated top and low silhouette Poly-Dome strainer.

OPTIONS (Check/specify appropriate options)

PIPE SIZE

- 2-3-4-5-6-8[51-76-102-127-152-203]
- 2-3-4-5-6-8[51-76-102-127-152-203]
- 2-3-4-5-6-8[51-76-102-127-152-203]
- 2-3-4[51-76-102]

(Specify size/type) **OUTLET**

- _____ IC Inside Caulk
- _____ IP Threaded
- _____ NH No-Hub
- _____ NL Neo-Loc

E BODY HT. DIM.

- 5-1/4 [133]
- 3-3/4 [95]
- 5-1/4 [133]
- 4-5/8 [117]

PREFIXES

- _____ Z D.C.C.I. Body with Poly-Dome*
- _____ ZA D.C.C.I. Body with 6-3/4 [171] High Aluminum Dome
- _____ ZC D.C.C.I. Body with Cast Iron Dome
- _____ ZRB D.C.C.I. Body with Plain Bronze Dome

SUFFIXES

- | | |
|--|--|
| _____ -AC Angular Underdeck Clamp | _____ -FG Flush Grate (Replaces Dome Strainer) |
| _____ -AR Acid Resistant Epoxy Coated | _____ -G Galvanized Cast Iron |
| _____ -BS Bronze Mesh Screen Over Dome | _____ -GD Galvanized Cast Iron Dome (ZC only) |
| _____ -DE Deck Extension | _____ -R Roof Sump Receiver |
| _____ -DP Top-Set® Deck Plate (Replaces both -C & -R) | _____ -SC Secondary Clamping Collar |
| _____ -DR Top-Set® Deck Riser | _____ -VP Vandal Proof Secured Top |
| _____ -DX Dex-O-Tex Flange | _____ -W2 2 [51] Internal Water Dam |
| _____ -C Underdeck Clamp | _____ -W3 3 [76] Internal Water Dam |
| _____ -E Static Extension 1 [25] thru 4 [102] (Specify Ht.) | _____ -W4 4 [102] Internal Water Dam |
| _____ -EA Adjustable Extension Assembly 1-3/4 [44] thru 3-1/2 [89] | _____ -85 Stainless Steel Perforated Extension |
| _____ -EB Top-Set® Adjustable Extension Assembly | _____ -89 2 [51] High External Water Dam |
| | _____ -90 90° Threaded Side Outlet Body |

* Regularly furnished unless otherwise specified.