



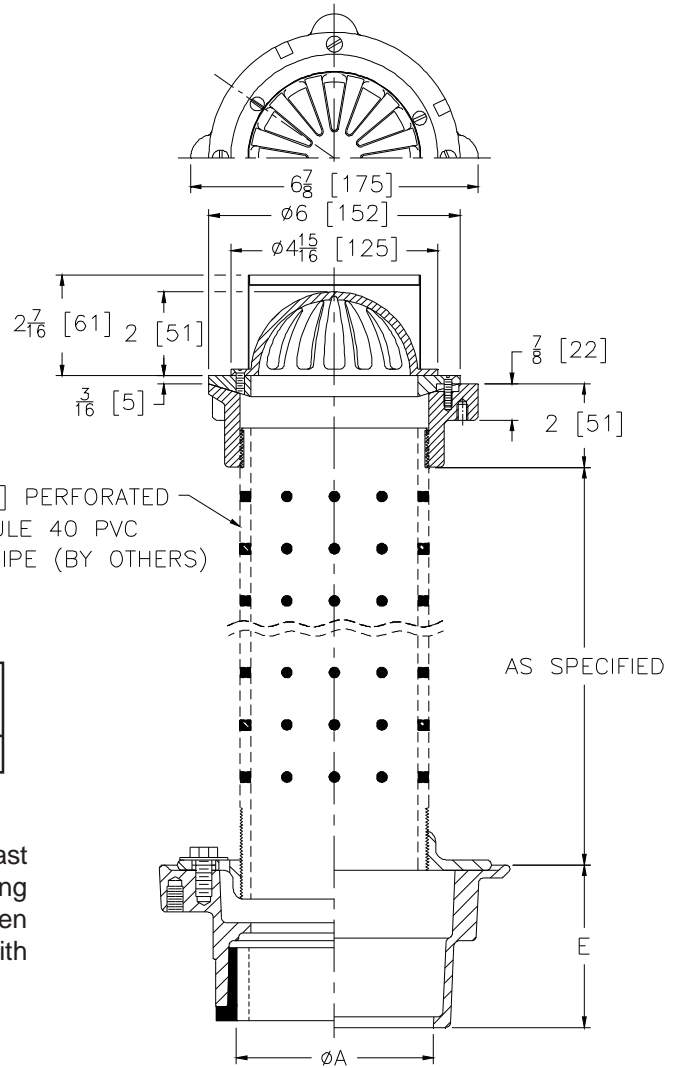
Z352-77

SMALL AREA PLANTING DRAIN W/ STAINLESS STEEL MESH & Z415 LOWER BODY

SPECIFICATION SHEET

TAG _____

Dimensional Data (inches and [mm]) are Subject to Manufacturing Tolerances and Change Without Notice



A-Pipe Size Inches	Approx. Wt. Lbs. [kg]	Dome Open Area Sq. In. [cm ²]
2-3-4-6 [51-76-102-152]	14 [6]	12 [77]

ENGINEERING SPECIFICATION: ZURN ZRB352-77

6 [152] Diameter Small Area Planting Drain, Dura-Coated cast iron body with bottom outlet, plain bronze membrane flashing clamp and dome strainer with stainless steel mesh screen over dome. Lower Z415 body is Dura-Coated cast iron with combination invertable 4" NPSM clamp collar.

OPTIONS (Check/specify appropriate options)

PIPE SIZE

- 2-3-4 [51-76-102]
- 2-3-4 [51-76-102]
- 2 [51]
- 3 [76]
- 4 [102]
- 6 [152]
- 2-3-4 [51-76-102]
- 2-3-4 [51-76-102]

(Specify size/type) OUTLET

- _____ IC Inside Caulk
- _____ IG Inside Gasket
- _____ IP Threaded
- _____ IP Threaded
- _____ IP Threaded
- _____ IP Threaded
- _____ NH No-Hub
- _____ NL Neo-Loc

'E' BODY HT. DIM.

- 3-7/8 [98]
- 3-7/8 [98]
- 2-3/8 [60]
- 2-5/8 [67]
- 2-7/8 [73]
- 2-3/4 [70]
- 3-7/8 [98]
- 3-3/4 [95]

PREFIXES

- ___ ZRB D.C.C.I. Body Assembly w/ Bronze Dome & Stainless Steel Mesh Screen*

SUFFIXES

- ___ -AA All Acid Resisting Epoxy
- ___ -AR Acid Resisting Epoxy Coated Cast Iron
- ___ -G Galvanized Cast Iron
- ___ -P Trap Primer Connection (Specify 1/2 [13] or 3/4 [19])
- ___ -SA Stabilizer Assembly (See Z1035)
- ___ -SQ Stabilizer Q-Deck (See Z1035-Q)
- ___ -SR Stabilizer Ring
- ___ -TC Neo-Loc Test Cap Gasket (2-4 [51-102] NL Outlet Only)
- ___ -VP Vandal-Proof Secured Top

* Regularly furnished unless otherwise specified.