



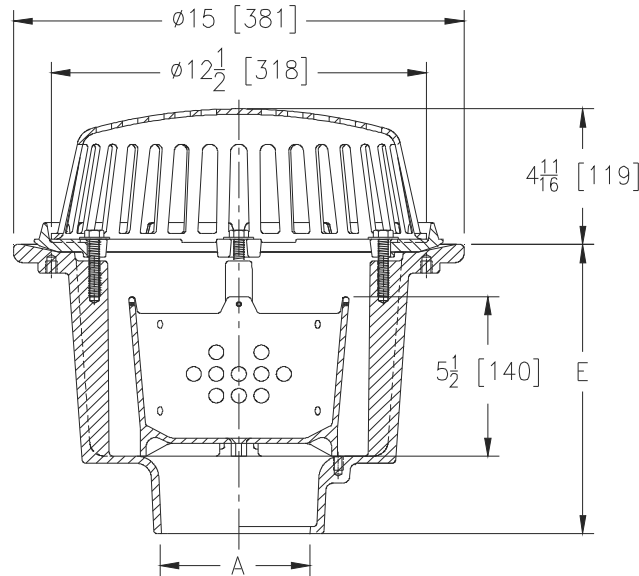
# Z104-81

15 [381] DIAMETER DEEP SUMP ROOF DRAIN  
W/ LOW SILHOUETTE DOME AND SEDIMENT BUCKET

SPECIFICATION SHEET

TAG \_\_\_\_\_

Dimensional Data (inches and [ mm ]) are Subject to Manufacturing Tolerances and Change Without Notice



A Pipe Size In.	Approx. Wt. Lbs. [kg]	Dome Open Area Sq. In. [cm <sup>2</sup> ]
3-4 [76-102]	46 [21]	103 [665]
6 [152]		

**ENGINEERING SPECIFICATION: ZURN Z104-81**

15 [381] Diameter roof drain. Dura-Coated cast iron deep sump body with combination membrane flashing clamp/gravel guard, aluminum sediment bucket, and low silhouette Poly-Dome.

Note: Sediment bucket may restrict flow to outlet and should be cleared regularly to prevent blockages.

**OPTIONS** (Check/specify appropriate options)

**PIPE SIZE**

- 3-4-6 [76-102-152]
- 3-4-6 [76-102-152]
- 3-4 [76-102]

(Specify size/type) **OUTLET**

- \_\_\_\_\_ IC Inside Caulk
- \_\_\_\_\_ NH No-Hub
- \_\_\_\_\_ NL Neo-Loc

**'E' BODY HT. DIM.**

- 10 [254]
- 10 [254]
- 9-5/16 [237]

**PREFIXES**

- \_\_\_\_\_ Z D.C.C.I. Body with Poly-Dome\*
- \_\_\_\_\_ ZA D.C.C.I. Body with Aluminum Dome
- \_\_\_\_\_ ZC D.C.C.I. Body with Cast Iron Dome
- \_\_\_\_\_ ZRB D.C.C.I. Body with Plain Bronze Dome

**SUFFIXES**

- \_\_\_\_\_ -AC Angular Underdeck Clamp
- \_\_\_\_\_ -AR Acid Resistant Epoxy Coated Finish
- \_\_\_\_\_ -BS Bronze Mesh Screen Over Dome
- \_\_\_\_\_ -C Underdeck Clamp
- \_\_\_\_\_ -DX Dex-O-Tex Flange
- \_\_\_\_\_ -E Static Extension 1 [25] thru 4 [102] (Specify Ht)
- \_\_\_\_\_ -EA Adjustable Extension Assembly  
2-1/8 [54] thru 3-1/2 [89]
- \_\_\_\_\_ -FG Flush Grate (Replaces Dome Strainer)
- \_\_\_\_\_ -G Galvanized Cast Iron
- \_\_\_\_\_ -GD Galvanized Cast Iron Dome (ZC Only)
- \_\_\_\_\_ -HD 6-3/4 [171] High Aluminum Dome Strainer  
(148 sq. in. [955 cm<sup>2</sup>] open area) (ZA only)
- \_\_\_\_\_ -R Roof Sump Receiver
- \_\_\_\_\_ -SC Secondary Clamping Collar
- \_\_\_\_\_ -SS Stainless Steel Mesh Screen Over Dome
- \_\_\_\_\_ -VP Vandal-Proof Secured Top
- \_\_\_\_\_ -84 Stainless Steel Perforated Gravel Guard
- \_\_\_\_\_ -85 Stainless Steel Perforated Extension
- \_\_\_\_\_ -89 2 [51] High External Water Dam

\* Regularly furnished unless otherwise specified.