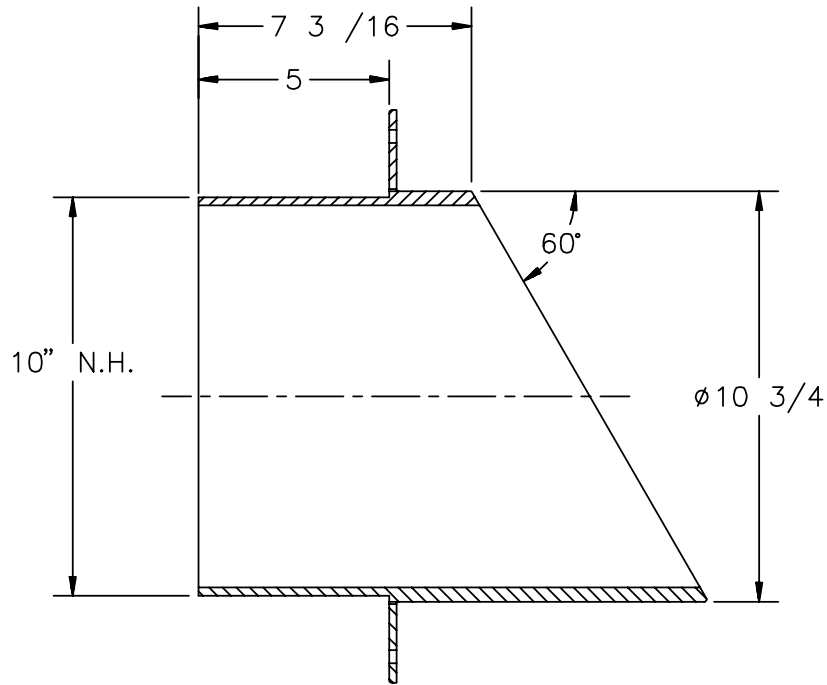




Z-199-75 DOWNSPOUT NOZZLE

TAG _____

Dimensional Data (inches or [mm]) are Subject to Manufacturing Tolerances and Change Without Notice



ENGINEERING SPECIFICATION: ZURN Z-199-75 Downspout Nozzle, Acid Resistant Coated fabricated steel body with No-Hub inlet and wall flange.

*REGULARLY FURNISHED UNLESS OTHERWISE SPECIFIED

REV. B DATE: 11/2/99 C.N. NO. 83736

DWG. NO. P-13663 PRODUCT NO. Z-199-75

ZURN INDUSTRIES, INC. ♦ SPECIFICATION DRAINAGE OPERATION ♦ 1801 Pittsburgh Ave. ♦ Erie, PA 16514

Phone: 814/455-0921 ♦ Fax: 814/454-7929 ♦ World Wide Web: www.zurn.com

In Canada: ZURN INDUSTRIES LIMITED ♦ 3544 Nashua Drive ♦ Mississauga, Ontario L4V1L2 ♦ Phone: 905/405-8272 Fax: 905/405-1292