



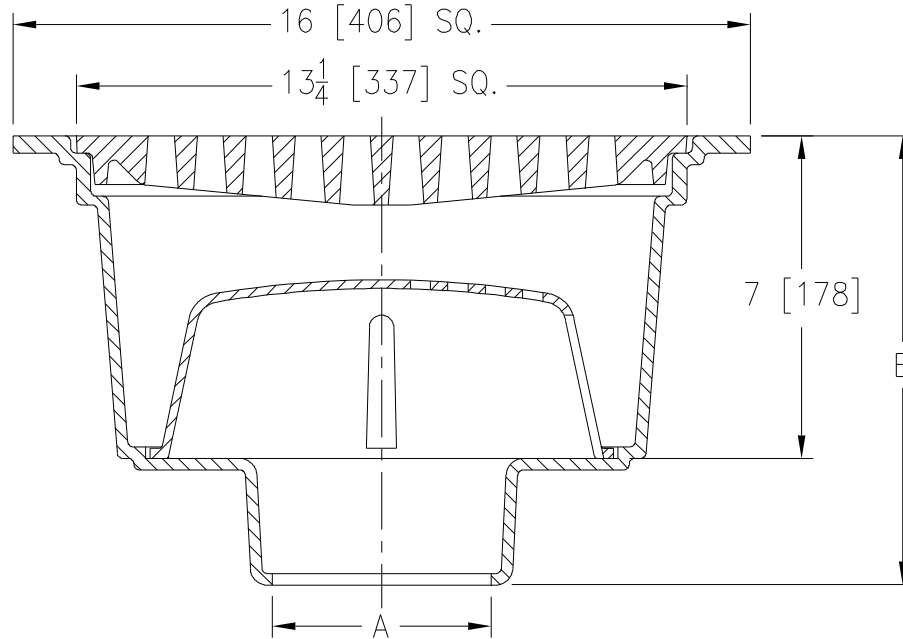
Z1920-33

16 X 16 [406 X 406] A.R.C. SANI-FLOR RECEPTOR 7 [178]
 SUMP DEPTH W/WHITE A.R.C. ANTI-SPLASH BOTTOM
 DOME STRAINER

SPECIFICATION SHEET

TAG _____

Dimensional Data (inches and [mm]) are Subject to Manufacturing Tolerances and Change Without Notice



A- Pipe Size In. [mm]	Approx Wt. Lbs. [kg]	Grate Open Area Sq. In. [cm ²]
2,3,4,6,8 [51,76,102,152,203]	83 [38]	54 [348]

ENGINEERING SPECIFICATION: ZURN Z1920-33

Sani-Flor Receptor 16" x 16" x 7" [406mm x 406mm x 178mm] deep cast iron body and square slotted heavy duty grate, with white acid resisting epoxy coated interior and top, complete with A.R.C. anti-splash bottom dome strainer.

OPTIONS (Check/specify appropriate options)

PIPE SIZE

2, 3, 4, 6 [51, 76, 102, 152]
 8 [203]
 2, 3, 4 [51, 76, 102]

(Specify size/type) OUTLET

___ IC Inside Caulk
 ___ IC Inside Caulk
 ___ NL Neo-Loc

'E' BODY HT. DIMENSION

Z	ZN
9-3/4 [248]	10 [254]
10-1/4 [260]	10-1/2 [267]
9 [229]	9-3/16 [233]

PREFIXES

___ Z Cast Iron Body with White A.R.C. Interior*
 ___ ZN Cast Iron Body with White A.R.C. Interior, 16-3/4 [425] Square Nickel Bronze Frame and Full Grate

SUFFIXES

___ -K Anchor Flange with Seepage Holes	___ -4 Full Grate with 2 [51] Square Opening
___ -KC Anchor Flange with Seepage Holes and Clamp Collar	___ -6 Grate w/ 6 [152] Dia. x 6 [152] High Funnel
___ -P 1/2 [13] Trap Primer Connection	___ -8 Grate w/ 8-7/8 x 3-5/8 x 3-3/4 [225 x 92 x 95] High Oval Funnel
___ -TC Neo-Loc Test Cap Gasket (2, 3, 4 [51, 76, 102] NL Bottom Outlet Only)	___ -11 Vandal-Proof Secured Grate
___ -1 Less Grate	___ -15 Solid Loose Set Cover
___ -2 1/2 Grate	
___ -3 3/4 Grate	

* Regularly furnished unless otherwise specified.

Zurn Industries, LLC | Specification Drainage Operation
 1801 Pittsburgh Avenue, Erie, PA U.S.A. 16502 · Ph. 855-663-9876, Fax 814-454-7929
 In Canada | Zurn Industries Limited
 3544 Nashua Drive, Mississauga, Ontario L4V 1L2 · Ph. 905-405-8272, Fax 905-405-1292
www.zurn.com

Rev. B
 Date: 10/13/17
 C.N. No. 138802
 Prod. | Dwg. No. Z1920-33