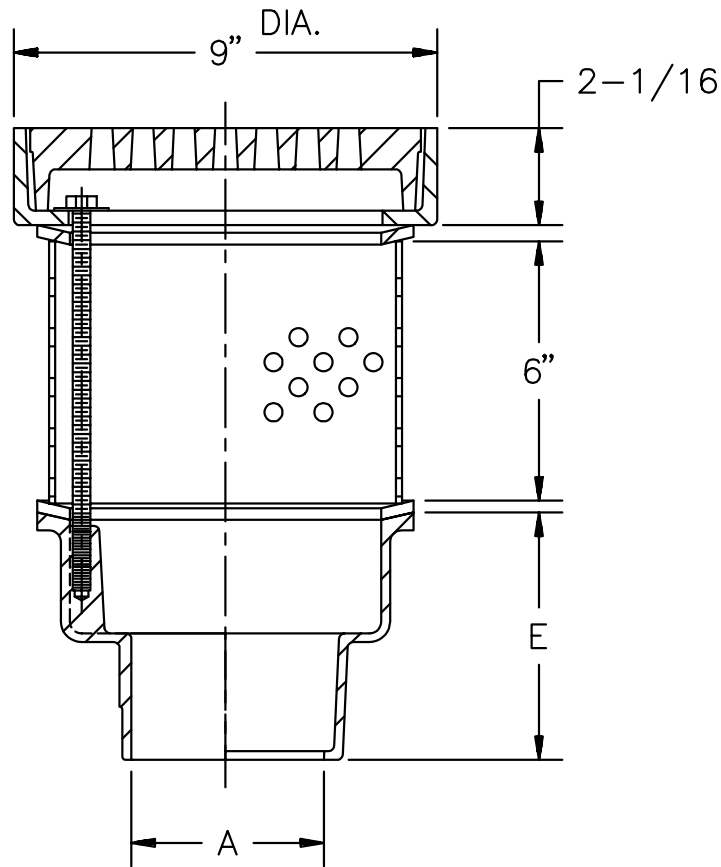




9" DIAMETER DRAIN WITH EXTENSION AND HEAVY DUTY GRATE

TAG _____

Dimensions Subject to Manufacturing Tolerances



ENGINEERING SPECIFICATION: ZURN Z-125-86 9" Diameter drain. Dura-Coated cast iron body, clamping collar, frame, grate, secondary clamping collar and stainless steel perforated extension.

OPTIONS (Check/specify appropriate options)

OUTLET (Specify type)	PIPE SIZE (Specify size)	'E' BODY HT. DIMENSION
_____ IC Inside Caulk	_____ 2" thru 4"	5-1/4"
_____ IP Threaded	_____ 2" thru 4"	3-3/4"
_____ NH No-Hub	_____ 2" thru 4"	5-1/4"
_____ NL Neo-Loc	_____ 2" thru 4"	5-1/2"
_____ NL Neo-Loc	_____ 2" thru 4"	4-1/2"
SUFFIXES		
_____ -C Underdeck Clamp		
_____ -R Roof Sump Receiver		

REV. _____	DATE: <u>2/21/91</u>	C.N. NO. <u>67517</u>
DWG. NO. <u>P-13524</u>	PRODUCT NO. <u>Z-125-86</u>	

*REGULARLY FURNISHED UNLESS OTHERWISE SPECIFIED