



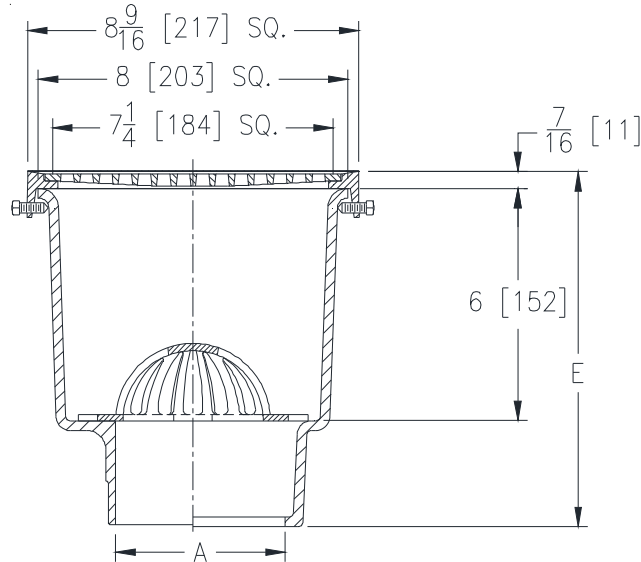
ZN1910-81

8-9/16 X 8-9/16 [217 x 217] A.R.E. SANI-FLOR
RECEPTOR 6 [152] SUMP DEPTH W/ NICKEL BRONZE
FRAME & GRATE WITH PROTECTIVE COVER

SPECIFICATION SHEET

TAG _____

Dimensional Data (inches and [mm]) are Subject to Manufacturing Tolerances and Change Without Notice



A Pipe Size In. [mm]	Approx Wt. Lbs. [kg]	Grate Open Area Sq. In. [cm ²] <small>(After removal of protective cover)</small>
2,3,4 [51,76,102]	25 [11]	18.3 [118]

ENGINEERING SPECIFICATION: ZURN ZN1910-81
Sani-Flor Receptor 8-9/16" X 8-9/16" X 6" [217mm X 217mm X 152mm] deep cast iron body with white acid resisting porcelain enamel interior and top, square nickel bronze frame and full grate, complete with white ABS anti-splash interior bottom dome strainer and galvanized steel construction protective cover.

OPTIONS (Check/specify appropriate options)

PIPE SIZE

- 2,3,4 [51,76,102]
- 2,3,4 [51,76,102]
- 2,3,4 [51,76,102]

(Specify size/type) **OUTLET**

- _____ IC Inside Caulk
- _____ NH No-Hub
- _____ NL Neo-Loc

'E' BODY HT. DIMENSION

- 9-3/16 [233]
- 9-1/16 [230]
- 8-7/16 [214]

PREFIXES

- ___ ZN Cast Iron Body with White A.R.E. Interior, 8-9/16 [217] Square N.B. Frame and Full Grate with 5/16 [8] Square Openings *

SUFFIXES

- | | |
|---|--|
| ___ -DX Dex-o-Tex Flange | ___ -8 Grate w/ 8-7/8 x 3-5/8 x 3-3/4 [225 x 92 x 95] High Oval Funnel |
| ___ -K Anchor Flange | ___ -11 Vandal-Proof Secured Grate |
| ___ -KC Anchor Flange With Seepage Holes And Clamp Collar | ___ -12 Depressed Aluminum Grate |
| ___ -LD Less Bottom Dome Strainer | ___ -15 Solid Loose Set Cover |
| ___ -P 1/2 [13] Trap Primer Connection (See Z1023) | ___ -16 1/2 Solid Loose Set Cover |
| ___ -TC Neo-Loc Test Cap Gasket (2,3,4 [51,76,102] NL Bottom Outlet Only) | ___ -17 3/4 Solid Loose Set Cover |
| ___ -1 Less Grate | ___ -18 Solid Loose Set Cover with Square Center Opening |
| ___ -2 1/2 Grate | ___ -19 Full Hinged Grate |
| ___ -3 3/4 Grate | ___ -23 Aluminum Bucket |
| ___ -4 Full Grate with Square Center Opening | ___ -25 White A.R.C. Bucket |
| ___ -5 Grate w/ 4 [102] Dia. x 3-3/4 [95] High Funnel | ___ -31 Stainless Steel Mesh Liner for Bucket |
| ___ -6 Grate w/ 6 [152] Dia. x 6 [152] High Funnel | ___ -32 Aluminum Dome Strainer |
| ___ -7 Grate w/ 6-3/4 x 3 x 1 [171 x 76 x 25] High Oval Funnel | ___ -33 White A.R.C. Anti-Splash Bottom Dome Strainer |

* Regularly furnished unless otherwise specified.