



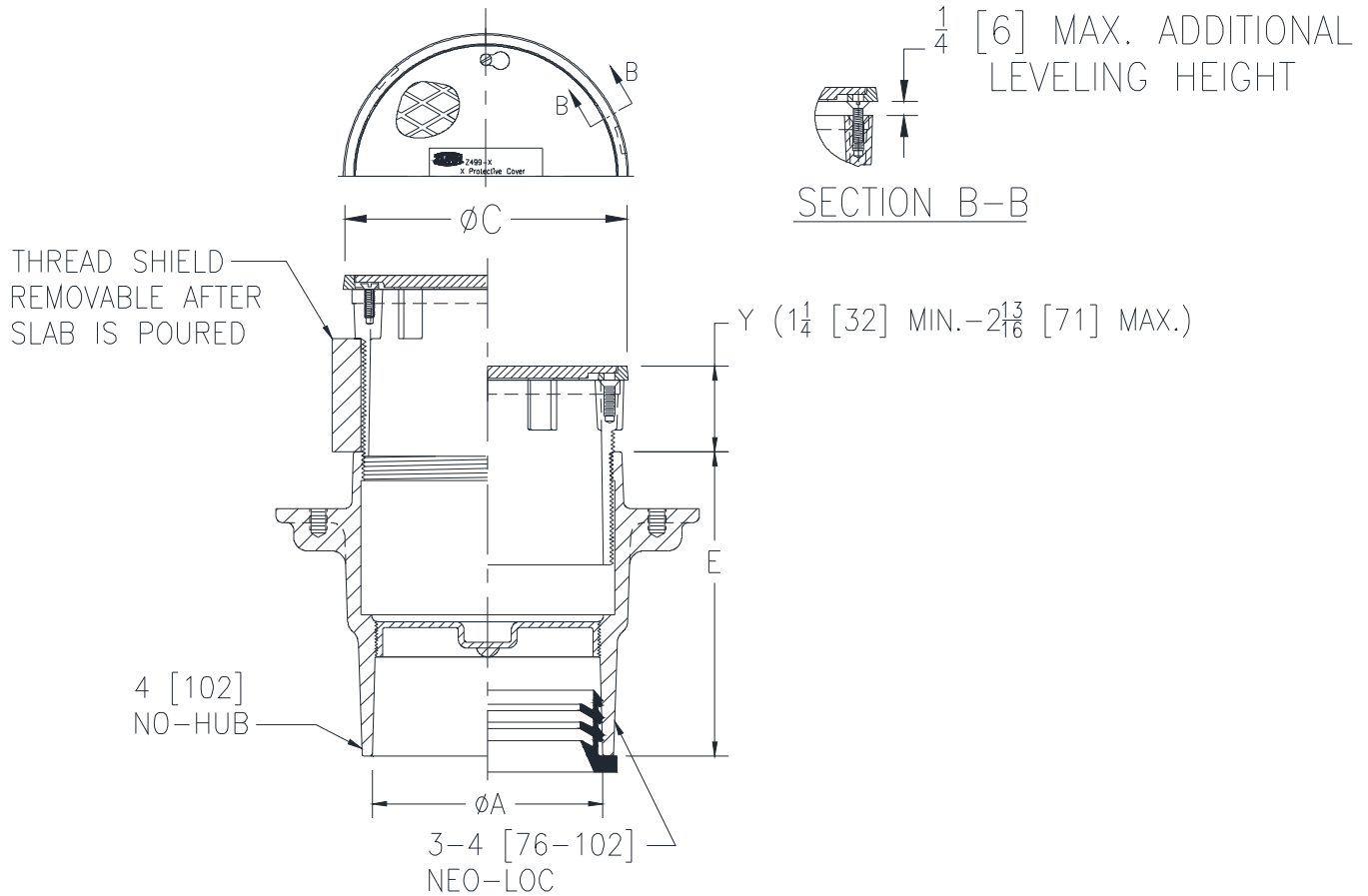
Z1400-BZ-K-PC

"LEVEL-TROL" ADJUSTABLE LEVELING FLOOR CLEANOUT W/ ANCHOR FLANGE AND PROTECTIVE COVER

SPECIFICATION SHEET

TAG _____

Dimensional Data (inches and [mm]) are Subject to Manufacturing Tolerances and Change Without Notice



ENGINEERING SPECIFICATION: ZURN Z1400-BZ-K-PC

"Level-Trol" Adjustable Leveling Floor Cleanout, Dura-Coated Cast Iron Body with Anchor Flange, gas and watertight ABS tapered thread plug, and scoriated secured light-duty top (specify finish ZB, ZN, ZS) with additional leveling adjustment to the finish floor, complete with galvanized steel construction protective cover.

Dimension In Inches [mm]				Approx. Wt. Lbs. [kg.]
A-Pipe Size	B	C	E	
No-Hub				
4 [102]	7-1/2 [191]	5-1/8 [130]	5-3/8 [137]	12.6 [5.7]
Neo-Loc				
3 [76]	7-1/2 [191]	5-1/8 [130]	5-3/8 [137]	12.9 [6]
4 [102]	7-1/2 [191]	5-1/8 [130]	5-3/8 [137]	14.2 [6.4]

PIPE SIZE	OUTLET (Specify size/type)
4 [102]	___NH No-Hub
3,4 [76,102]	___NL Neo-Loc

OPTIONS (Check/specify appropriate options)

PREFIXES

- ___ ZB D.C.C.I. w/ Polished Bronze Light-Duty Top
- ___ ZN D.C.C.I. w/ Polished Nickel Bronze Light-Duty Top*
- ___ ZS D.C.C.I. w/ Polished Stainless Steel Heavy-Duty Top

SUFFIXES

- ___ -AR Acid Resisting Epoxy Coated Finish
- ___ -BP Bronze Plug
- ___ -C Clamp Collar
- ___ -CM Carpet Marker
- ___ -G Galvanized Cast Iron
- ___ -SA Stabilizer Assembly for Sub-Floor Install
- ___ -SM Special Marking Stamped on Top
- ___ -SQ Stabilizer Assembly for Steel Decking Install
- ___ -TC Neo-Loc Test Cap Gasket (2,3,4 [51,76,102] NL Bottom Outlet Only)
- ___ -VP Vandal-Proof Screws

* Regularly furnished unless otherwise specified.