

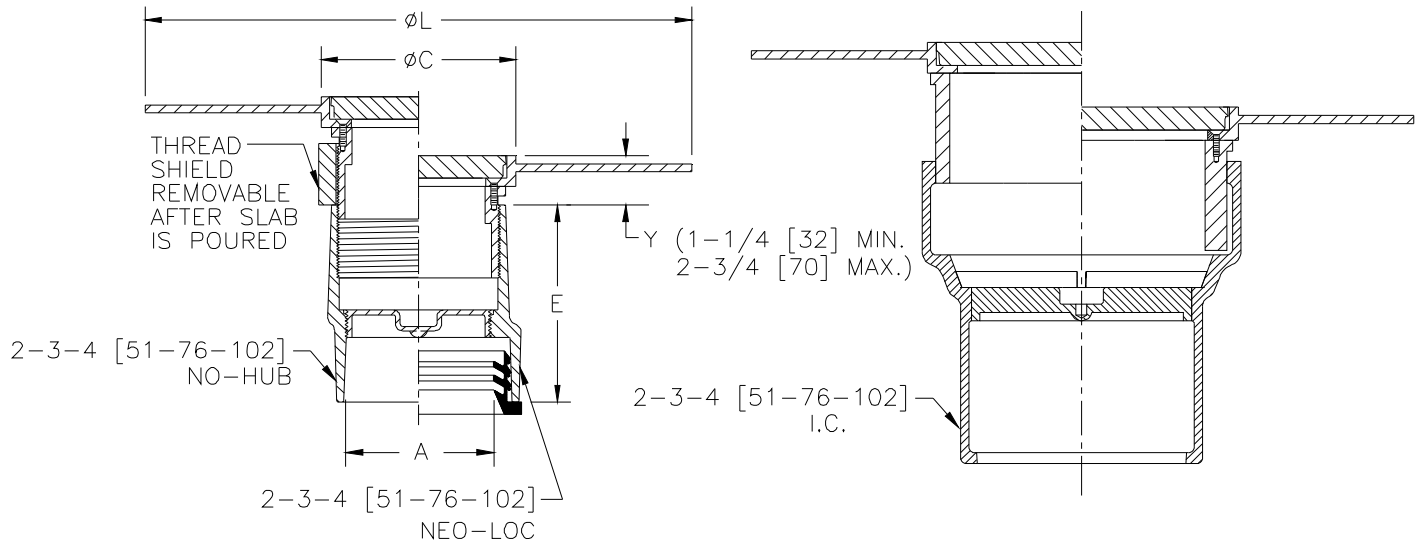


# Z1400-DX ADJUSTABLE CLEANOUT

SPECIFICATION SHEET

TAG \_\_\_\_\_

Dimensional Data (inches and [ mm ]) are Subject to Manufacturing Tolerances and Change Without Notice



### ENGINEERING SPECIFICATION: ZURN ZN1400-DX

Adjustable floor cleanout, Dura-Coated cast iron body, with dex-o-tex flange, watertight ABS tapered thread plug, and round scoriated top, adjustable to finished floor.

Dimension In Inches				Approx. Wt. Lbs. [kg.]
A-Pipe Size	C	E	L	
Inside Caulk				
2 [51]	6-1/8 [156]	6-7/8 [175]	14-1/8 [359]	16 [7.3]
3 [76]	6-1/8 [156]	6-7/8 [175]	14-1/8 [359]	16 [7.3]
4 [102]	7-1/4 [184]	6-7/8 [175]	15-1/4 [387]	19 [8.6]
No-Hub				
2 [51]	4-1/8 [105]	4-5/8 [117]	12-1/8 [308]	10 [4.5]
3 [76]	4-1/8 [105]	4-3/4 [121]	12-1/8 [308]	10 [4.5]
4 [102]	5-1/8 [130]	4-3/4 [121]	13-1/8 [333]	12 [5.4]
Neo-Loc				
2 [51]	4-1/8 [105]	4-3/4 [121]	12-1/8 [308]	10 [4.5]
3 [76]	5-1/8 [130]	4-3/4 [121]	13-1/8 [333]	12 [5.4]
4 [102]	5-1/8 [130]	4-3/4 [121]	13-1/8 [333]	14 [6.4]

**OPTIONS** (Check/specify appropriate options)

**PREFIXES**

- \_\_\_\_\_ ZB D.C.C.I. with Polished Bronze Top\*
- \_\_\_\_\_ ZN D.C.C.I. with Polished Nickel Bronze Top

**SUFFIXES**

- \_\_\_\_\_ -AR Acid Resisting Epoxy Coated Finish
- \_\_\_\_\_ -BP Bronze Plug
- \_\_\_\_\_ -CF Carpet Flange Cover (ZB and ZN only)
- \_\_\_\_\_ -CM Carpet Marker
- \_\_\_\_\_ -DC Duresist Cover
- \_\_\_\_\_ -G Galvanized Cast Iron
- \_\_\_\_\_ -K Anchor Flange
- \_\_\_\_\_ -KC Anchor Flange w/ Clamping Collar
- \_\_\_\_\_ -SG Solid Gasketed Cover
- \_\_\_\_\_ -SM Special Marking Stamped on Top
- \_\_\_\_\_ -T Square Top
- \_\_\_\_\_ -TC Neo-Loc Test Cap Gasket (2-4 [51-102] NL Bottom Outlet Only)
- \_\_\_\_\_ -VP Vandal-Proof Screws
- \_\_\_\_\_ -X Round Top Recessed for 1/8 [3] Tile (ZB or ZN only)

**PIPE SIZE**

- 2 thru 4 [51 thru 102]
- 2 thru 4 [51 thru 102]
- 2 thru 4 [51 thru 102]

(Specify size/type) **OUTLET**

- \_\_\_\_\_ IC Inside Caulk
- \_\_\_\_\_ NH No-Hub
- \_\_\_\_\_ NL Neo-Loc

**'E' BODY HT. DIM.**

- See Chart
- See Chart
- See Chart

\*REGULARLY FURNISHED UNLESS OTHERWISE SPECIFIED

<b>REV. B</b>	<b>DATE: 8/25/11</b>	<b>C.N. NO. 121992</b>
<b>DWG. NO. 58309</b>	<b>PRODUCT NO. Z1400-DX</b>	