



ZN1201-75

NARROW WALL WITH 9-3/8 [238] FRONT TO BACK
 EZCARRY® ADJUSTABLE HORIZONTAL HIGH PERFORMANCE SIPHON
 JET NO-HUB WATER CLOSET CARRIER SYSTEM FOR LOW ROUGH-IN, W/
 FLOOR MOUNTED, BACK OUTLET FIXTURE SUPPORT

SPECIFICATION SHEET

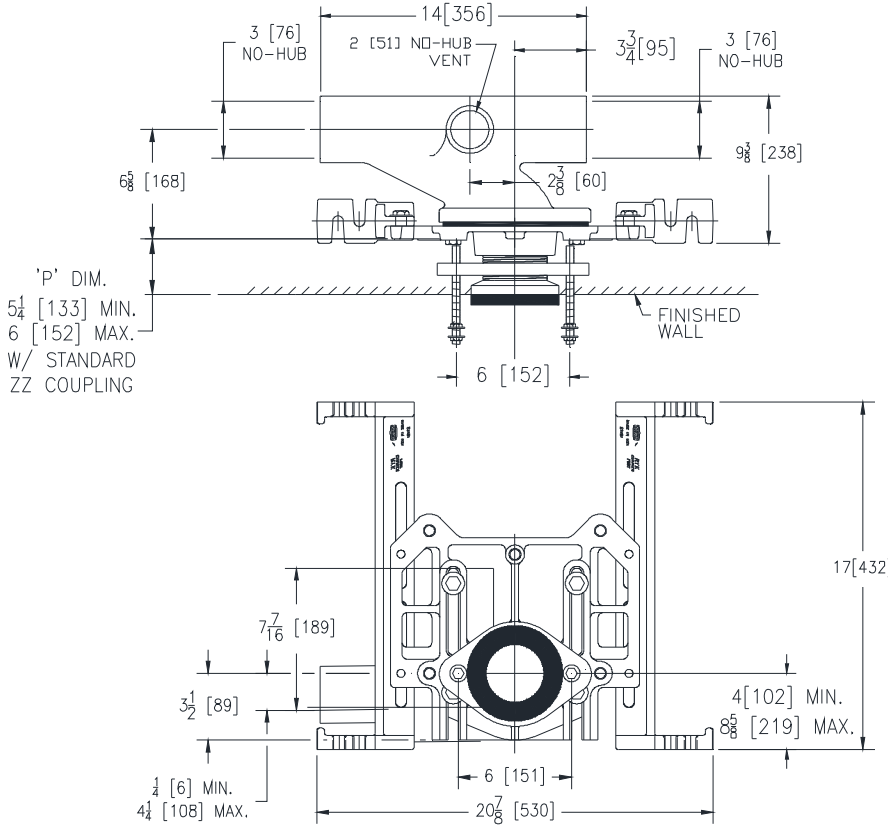
TAG _____



Dimensional Data (inches and [mm]) are Subject to Manufacturing Tolerances and Change Without Notice

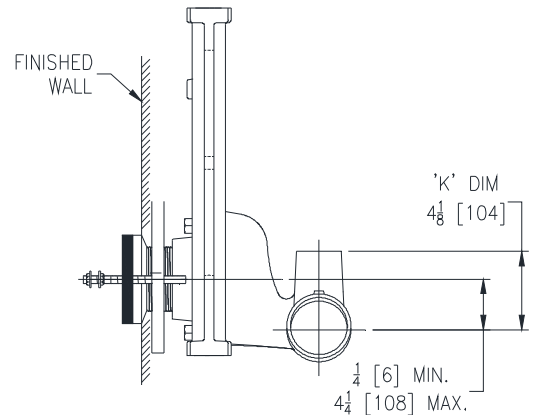
ZN1201-NR3-75 Illustrated

Product Number	Approx. Wt. lbs [kg]
ZN1201-NR3-75	75 [34]
ZN1201-NL3-75	



Note:

1. Cut ZZ Coupling, Min. 'P' Dim. Obtainable = 2 [51]
2. Feet bolted to floor using min. 1/2 [13] dia. anchors.



ENGINEERING SPECIFICATION: ZURN ZN1201-75

EZCarry® Narrow Wall horizontal siphon jet water closet carrier system, with high performance Dura-Coated cast iron main fitting with hydro-mechanically optimized sweep, 3" [76 mm] no-hub connections, and extended 2" [51 mm] vent. Corrosion resistant, adjustable 3" [76 mm] dia. X 6" [152 mm] coupling with integral test cap, designed to increase flow velocity and line carry, labor saving "Neo-Seal" bonded gasket optimizes flow performance while reducing installation steps and floor mounted back outlet fixture support. Complete system includes an adjustable, gasketed modified faceplate; floor mounted foot supports; fixture bolts, trim, and stud protectors.

OPTIONS (Check/specify appropriate options)

- ___ ZN1201-NR3-75 3 [76] No-Hub Left Hand Inlet with Flow to Right
- ___ ZN1201-NL3-75 3 [76] No-Hub Right Hand Inlet with Flow to Left

PREFIXES

- ___ Z D.C.C.I. System with Zurn ZZ Adjustable Coupling*

SUFFIXES

- ___ -CC Corrosion Resistant Cast Iron Coupling (2-1/4 to 12 [57 to 305])
- ___ -CS 2-1/4 [57] Polymer Coupling with Integral Test Cap
- ___ -G Galvanized Cast Iron
- ___ -JC 2 [51] Auxiliary Inlet with 1/8 [3] Blend
- ___ -VP Vandal-Proof Trim
- ___ -50 Flush Valve Supply Support for Water Closets

* Regularly furnished unless otherwise specified.