

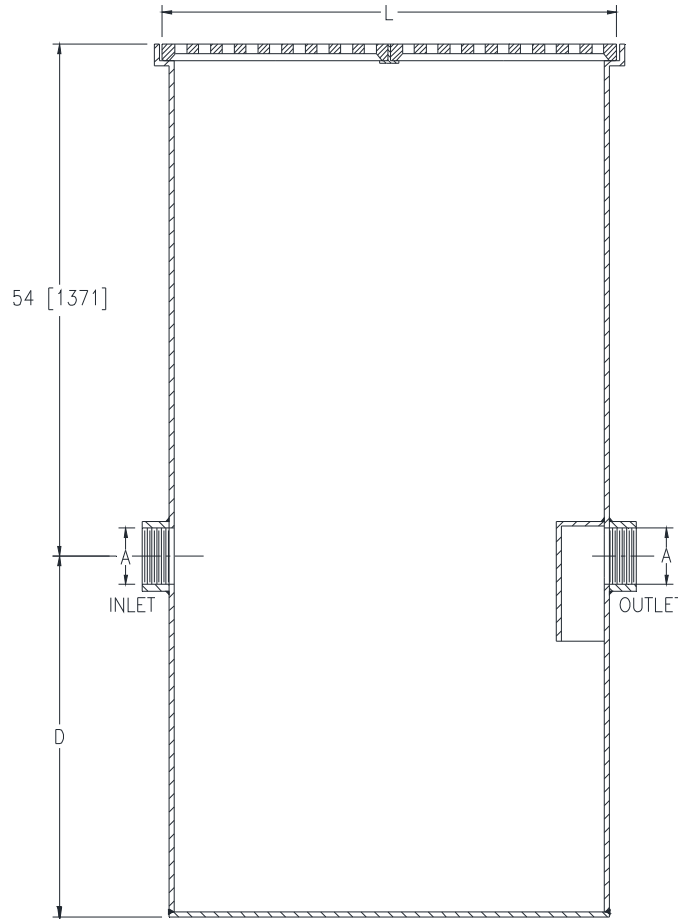


Z1187-SI-124
 20 GPM SAND INTERCEPTOR W/
 42[1066] INTEGRAL EXTENSION

SPECIFICATION SHEET

TAG _____

Dimensional Data (inches and [mm]) are Subject to Manufacturing Tolerances and Change Without Notice



Size	Flow G.P.M. [LPM] (Max.)	Dimensions in in. [mm]			Capacity Gal. [L] (Static)	Width
		A Pipe Size	L	D		
20	20 [76]	4 [102]	24 [610]	26 [660]	60 [227]	24 [610]

ENGINEERING SPECIFICATION: ZURNZ1187-SI-124

Acid Resistant Coated interior and exterior fabricated steel sand interceptor with threaded inlet and outlet, removable heavy duty grates, and 42 [1066] integral extension.

OPTIONS (Check/specify appropriate options)

PREFIXES

___ Z Acid Resistant Coated Fabricated Steel*

SUFFIXES

___ -NH No-Hub Inlet and Outlet (Specify Size)

___ -VP Vandal Proof Screws

* Regularly furnished unless otherwise specified.