



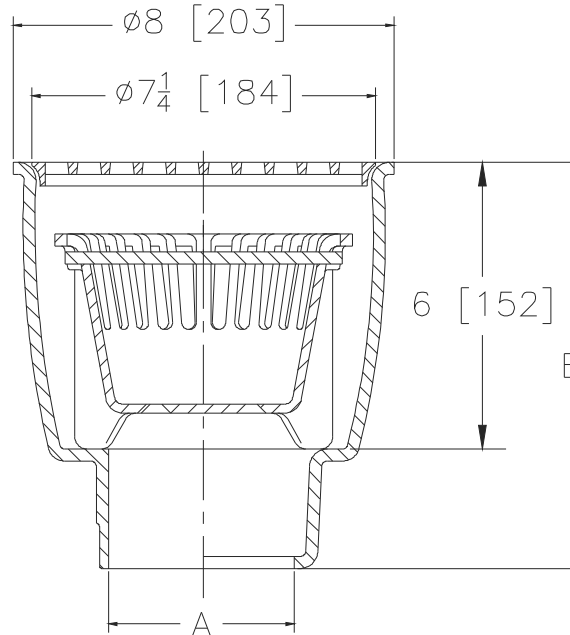
Z1960-23-31

8 [203] DIAMETER A.R.E. SANI-FLOR RECEPTOR
6 [152] SUMP DEPTH WITH ALUMINUM BUCKET AND
STAINLESS STEEL MESH LINER

SPECIFICATION SHEET

TAG _____

Dimensional Data (inches and [mm]) are Subject to Manufacturing Tolerances and Change Without Notice



A Pipe Size In. [mm]	Approx Wt. Lbs. [kg]	Grate Open Area Sq. In. [cm ²]
2,3,4 [51,76,102]	28 [12]	21 [136]

ENGINEERING SPECIFICATION: ZURN Z1960-23-31

Sani-Flor Receptor 8" [203mm] diameter x 6" [152mm] deep cast iron body and round square holed light duty grate, with white acid resisting porcelain enamel interior and top, black ground enamel exterior coating, complete with stainless steel mesh liner for aluminum bucket.

OPTIONS (Check/specify appropriate options)

PIPE SIZE

(Specify size/type) **OUTLET**

'E' BODY HT. DIMENSION

			Z	ZN
3,4 [76,102]	___ IC	Inside Caulk	8-1/2 [216]	9 [229]
2,3,4 [51,76,102]	___ NH	No-Hub	8-1/2 [216]	9 [229]
2,3,4 [51,76,102]	___ NL	Neo-Loc	8 [203]	8-7/16 [214]

PREFIXES

- ___ Z Cast Iron Body with White A.R.E. Interior*
- ___ ZN Cast Iron Body with White A.R.E. Interior, 8-1/2 [216] Nickel Bronze Frame and Full Grate with 1/4 [6] Square Openings

SUFFIXES

- | | | | |
|---------|---|---------|--|
| ___ -K | Anchor Flange with Seepage Holes | ___ -1 | Less Grate |
| ___ -KC | Anchor Flange with Seepage Holes and Clamp Collar | ___ -2 | 1/2 Grate |
| ___ -LD | Less Internal Bottom Dome Strainer | ___ -3 | 3/4 Grate |
| ___ -P | 1/2 [13] Threaded Trap Primer Connection (See Z1023) | ___ -4 | Full Grate With 2 [51] Square Opening |
| ___ -T | Square Frame and Round Grate with 1/4 [6] Square Openings (ZN Only) | ___ -6 | Grate w/6 [152] Diameter x 6 [152] High Funnel |
| ___ -TC | Neo-Loc Test Cap Gasket (2,3,4 [51,76,102] NL Bottom Outlet Only) | ___ -8 | Grate w/8-7/8 x 3-5/8 x 3-3/4 [225 x 92 x 95] High Oval Funnel |
| | | ___ -11 | Vandal Proof Secured Grate |
| | | ___ -15 | Solid Loose Set Cover |

* Regularly furnished unless otherwise specified.