



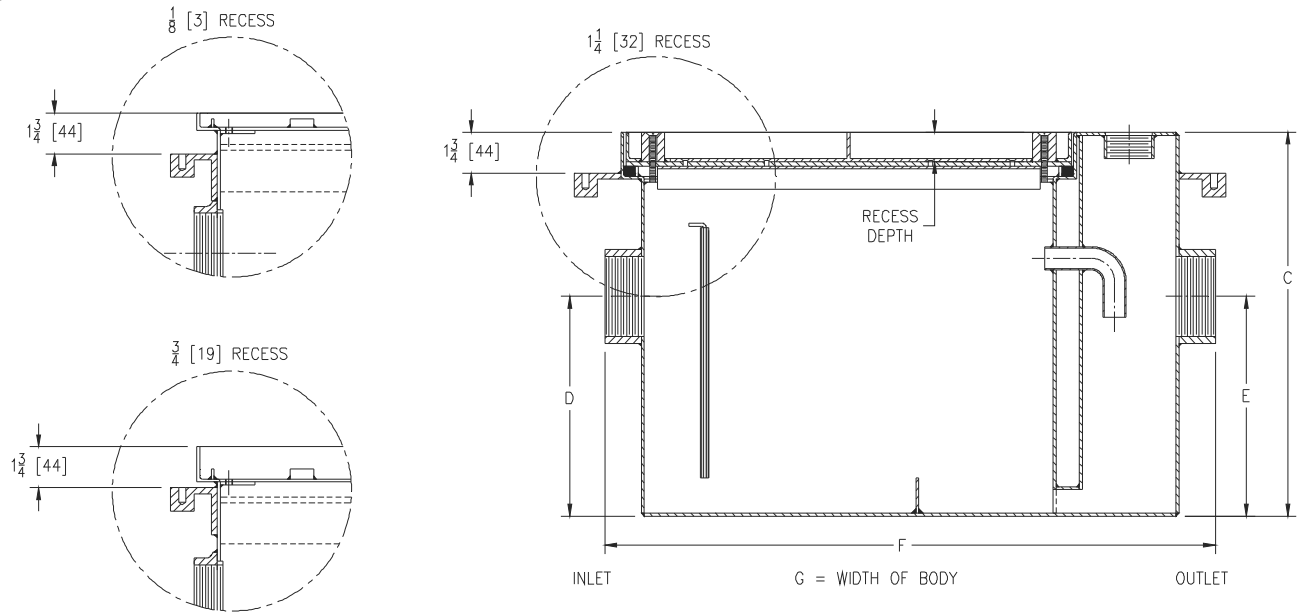
Z1170-KC-T

GREASE INTERCEPTOR W/ ANCHOR FLANGE, CLAMP COLLAR & COVER RECESS FOR TILE/TERRAZZO

SPECIFICATION SHEET

TAG _____

Dimensional Data (inches and [mm]) are Subject to Manufacturing Tolerances and Change Without Notice



Size	Inlet/Outlet Size**	Flow Rate GPM [LPM]	Capacity		Approx. Wt. Lbs. [kg.]	Dimensions in Inches [mm]			
			Water Gal. [L]	Grease Lbs. [kg]		C	D/E	F	G
100	2 [51]	4 [15]	3 [11]	8 [4]	57 [26]	13 [330]	7-1/4 [184]	20-3/8 [518]	9-7/8 [251]
200	2 [51]	7 [26]	5 [19]	14 [6]	68 [31]	14-1/4 [362]	8-1/8 [206]	21-3/4 [552]	11-7/8 [302]
300	2 [51]	10 [38]	6 [23]	20 [9]	81 [37]	14-3/4 [375]	8-1/4 [210]	25-1/8 [638]	14 [356]
400	3 [76]	15 [57]	10 [38]	30 [14]	98 [44]	16-3/8 [416]	9-3/8 [238]	27-1/8 [689]	16-3/4 [425]
500	3 [76]	20 [76]	16 [60]	40 [18]	124 [56]	18 [457]	11-3/4 [298]	30 [762]	17-1/4 [438]
600	3 [76]	25 [94]	21 [79]	50 [23]	149 [68]	20 [508]	12-1/2 [318]	32-1/4 [819]	19-7/8 [505]
700	3 [76]	35 [132]	30 [113]	70 [32]	176 [80]	21-3/4 [552]	14-1/4 [362]	34-1/8 [867]	22-1/2 [572]
800	3 [76]	50 [189]	40 [151]	100 [45]	205 [93]	24-1/2 [622]	16 [406]	36 [914]	24-1/2 [622]

ENGINEERING SPECIFICATION: ZURN Z1170-KC-T

Acid Resistant Coated interior and exterior fabricated steel grease interceptor, PDI, rated at _____ GPM and _____ Lbs. grease capacity, with internal air relief by-pass, Anchor Flange 2" [51mm] wide clamping collar, bronze cleanout plug, removable pressure equalizing/flow diffusing inlet baffle, fixed bottom outlet baffle, and visible double wall trap seal. Gasketed cover recessed for tile/terrazzo complete with removable T-handles and Z1108 flow control fitting. Regularly furnished with a high inlet and outlet connection. Note: Location of outlet from bottom of interceptor cannot be changed.

PREFIXES

- ___ Z Acid Resistant Coated Fabricated Steel*
- ___ ZS All Type 304 Fabricated Stainless Steel

SUFFIXES

- ___ -DI Dual High/Low Inlet.
- ___ -E Acid Resistant Coated Interior and exterior fabricated steel extension section. (Specify 'C' Dim. required) for recessed installation.
- ___ -L Angle type (Z1108-L) flow control device with plunger.

** Inlet and outlet sizes shown indicate standard operating sizes and flow control setting. Size #300 will have 3 [76] connections reduced to 2 [51] and sizes #600 thru #800 will have 4 [102] connections reduced to 3 [76] as standard. If changed, flow control must be adjusted accordingly.

* Regularly furnished unless otherwise specified.