



Z1231-EZ-D

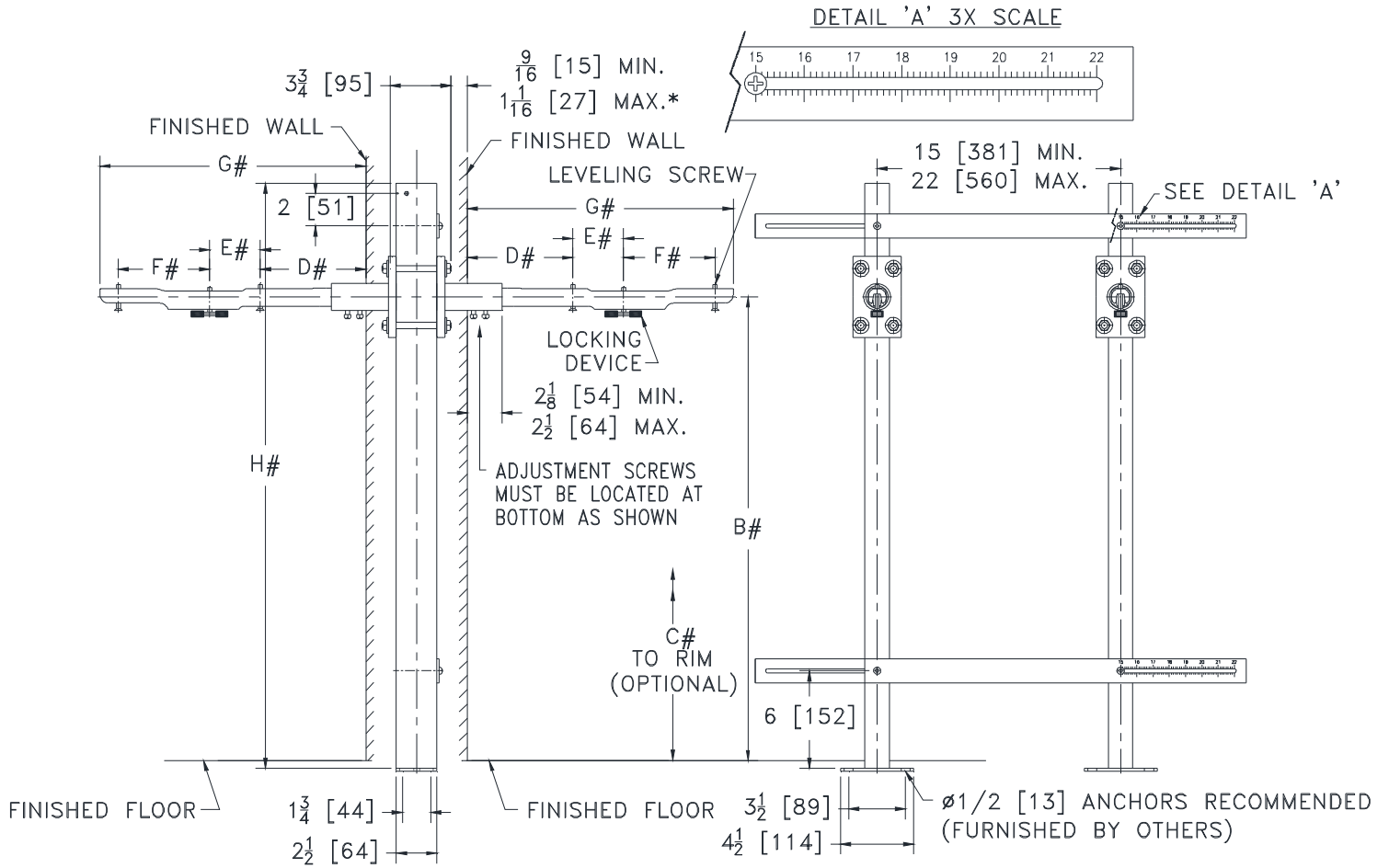
CONCEALED BACK TO BACK ARM SYSTEM

WALL LAVATORIES

SPECIFICATION SHEET

TAG _____

Dimensional Data (inches and [mm]) are Subject to Manufacturing Tolerances and Change Without Notice



NOTES:
 #REFER TO ROUGH-IN OF SPECIFIC FIXTURE FOR DIMENSION
 *WITH STANDARD SLEEVE LENGTH OF 4 [102]

Product No.	Approx. Wt. Lbs. [kg]
Z1231-EZ-D	55 [25]

ENGINEERING SPECIFICATION: ZURN Z1231-EZ-D

Back to Back Wall Hung Lavatory support system with concealed arms. Complete with Dura-Coated rectangular steel uprights with welded feet, cast iron adjustable headers, concealed arms, steel sleeves, adjusting bars, and mounting fasteners.

OPTIONS (Check/specify appropriate options)

PREFIXES

___ Z Dura-Coated System with Concealed Arms*

SUFFIXES

___ -AL Adapter Lug
 ___ -E2 Concealed Arm Escutcheons 2 [51] Long

* Regularly furnished unless otherwise specified.

Zurn Industries, LLC | Specification Drainage Operation
 1801 Pittsburgh Avenue, Erie, PA U.S.A. 16502 · Ph. 855-663-9876, Fax 814-454-7929
 In Canada | Zurn Industries Limited
 3544 Nashua Drive, Mississauga, Ontario L4V 1L2 · Ph. 905-405-8272, Fax 905-405-1292
www.zurn.com

Rev. -
 Date: 02/26/2019
 C.N. No. 141094
 Prod. | Dwg. No. Z1231-EZ-D